

#### TECHN. DATEN (TECHNICAL DATA):

NENNDRUCK (NOMINAL PRESSURE)  $P_N$  ..... 70 MPa (700bar)

PRÜFDRUCK (TEST PRESSURE)  $P_P$  ..... 84 MPa (840bar)

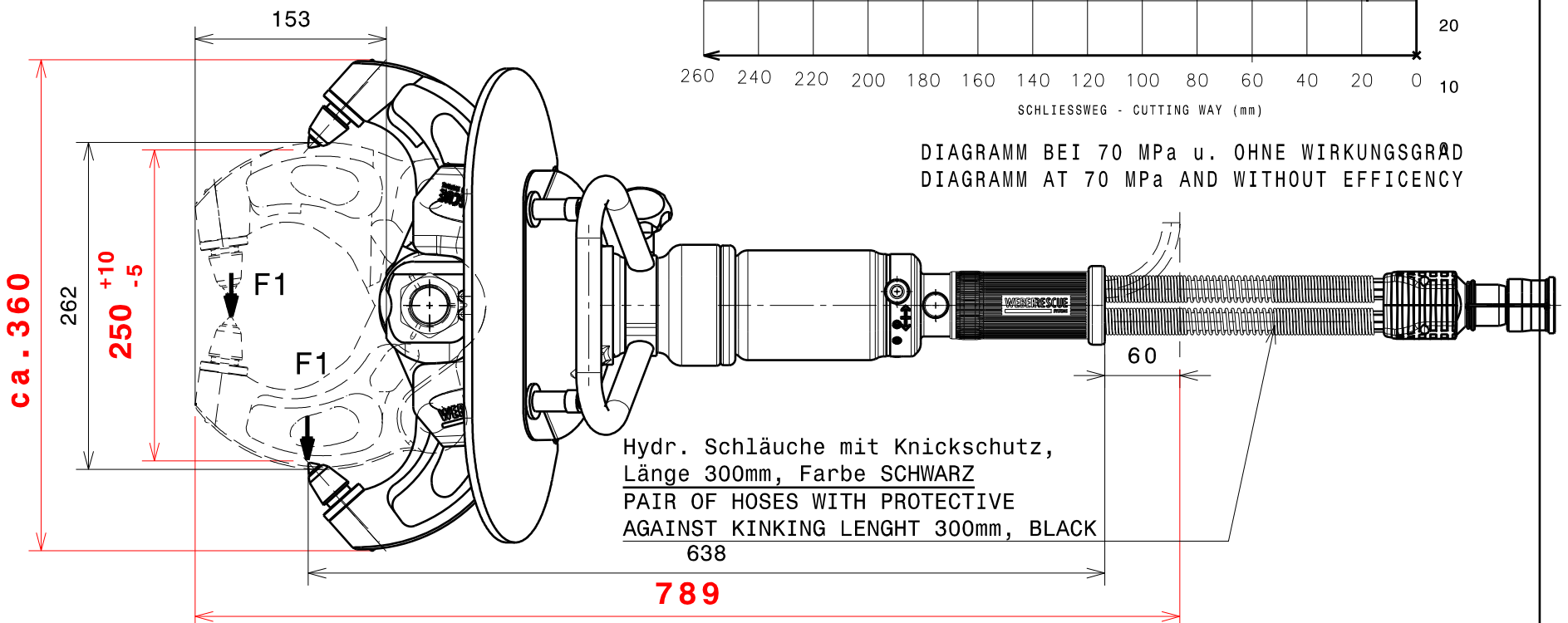
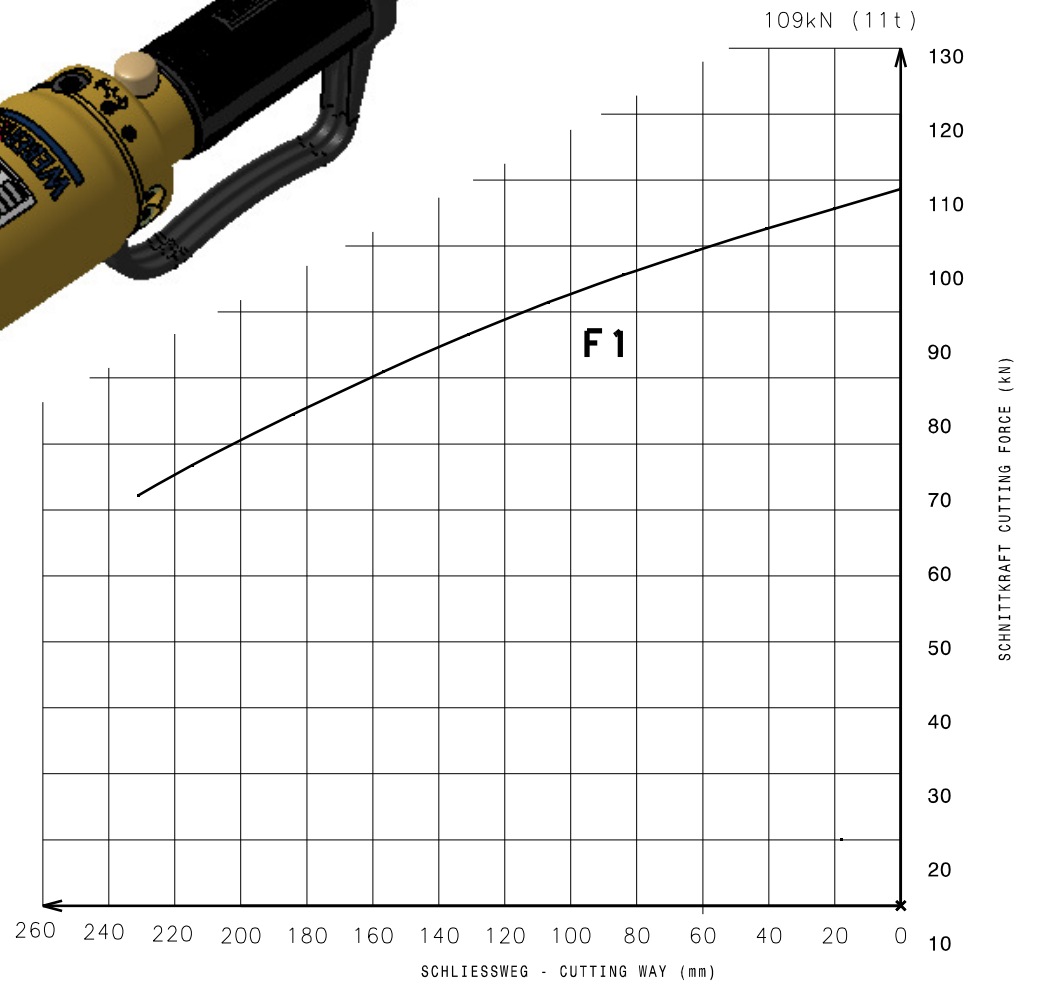
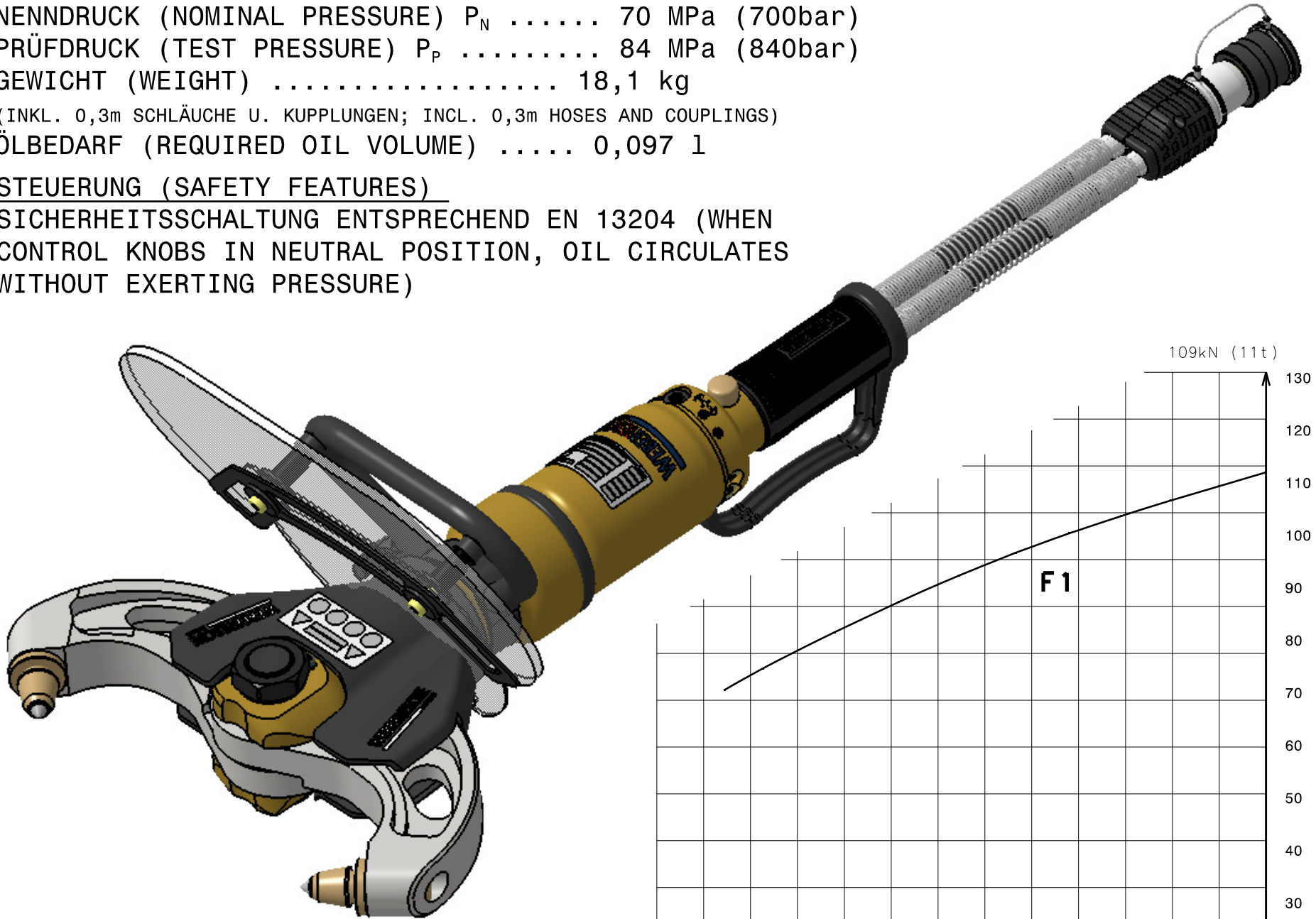
GEWICHT (WEIGHT) ..... 18,1 kg

(INKL. 0,3m SCHLÄUCHE U. KUPPLUNGEN; INCL. 0,3m HOSES AND COUPLINGS)

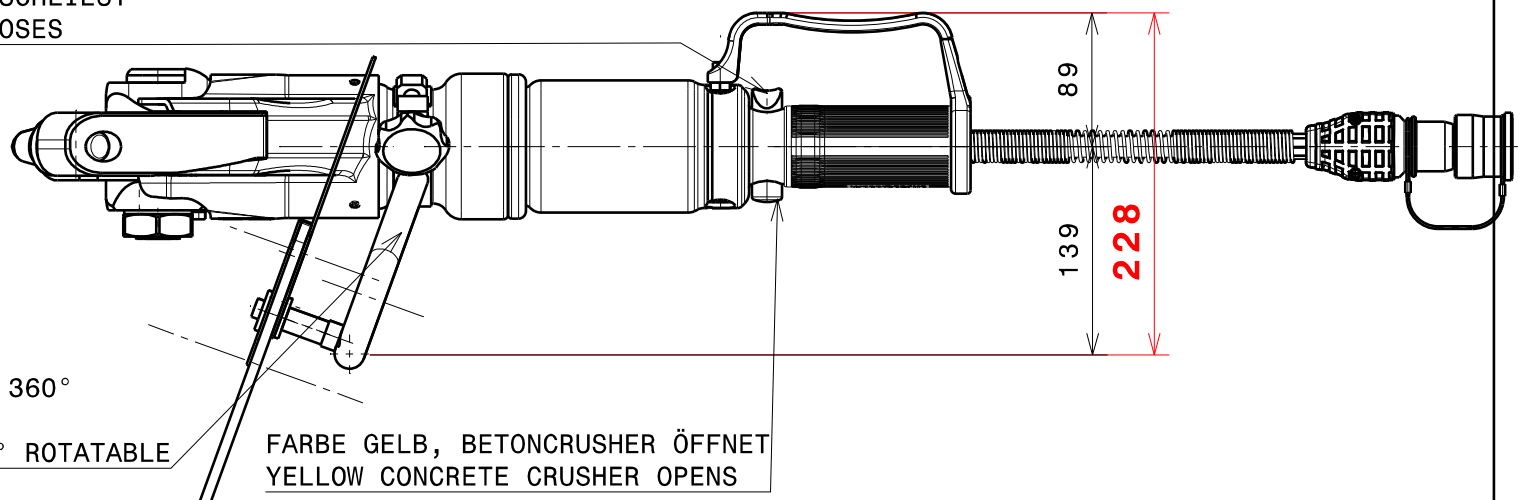
ÖLBEDARF (REQUIRED OIL VOLUME) ..... 0,097 l

#### STEUERUNG (SAFETY FEATURES)

SICHERHEITSSCHALTUNG ENTSPRECHEND EN 13204 (WHEN CONTROL KNOBS IN NEUTRAL POSITION, OIL CIRCULATES WITHOUT EXERTING PRESSURE)



FARBE WEISS, BETONCRUSHER SCHLIEST  
WHITE, CONCRETE CRUSHER CLOSES



GEPR. JSC  
CHECK.

GEZ. KST  
DRAW. DAT. 21.03.13

DST  
03.03.2014

GEAEND. MODIF.  
AEND.-DATUM MOD.-DATE

130573  
A

AEND.-NR. MOD.-NO.  
REVISION REVISION

FREIMASSTOLERANZEN (GENERAL TOLERANCES)	LAENGENMASS (LENGHT)mm	...50	50...250	250...1000	1000...	WINKELMASS (ANGLE)	...180°
	TOLERANZ (TOLERANCE)mm	±1,5	±2,0	±3,0	±5,0	TOLERANZ (TOLERANCE)	±10°