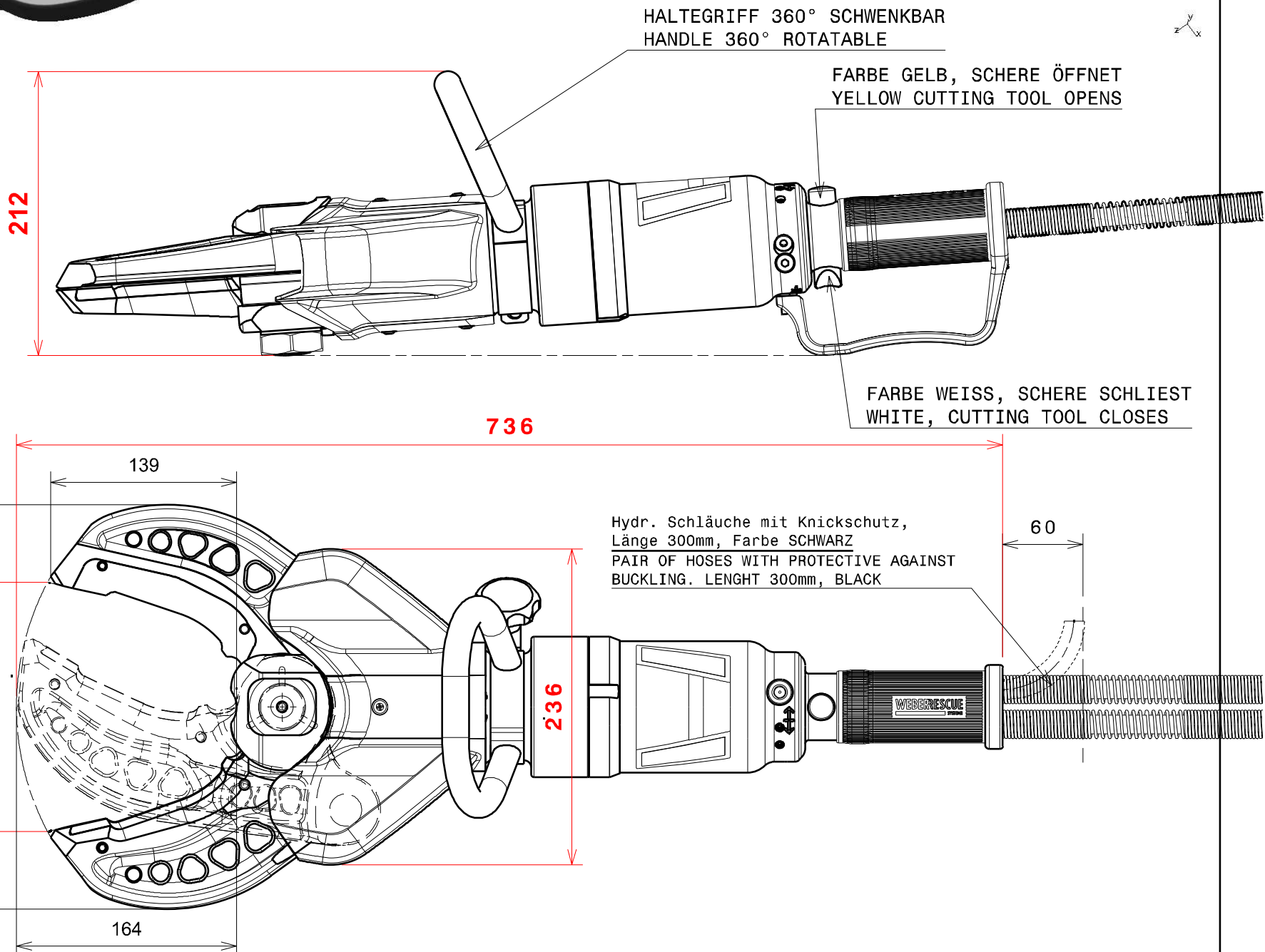
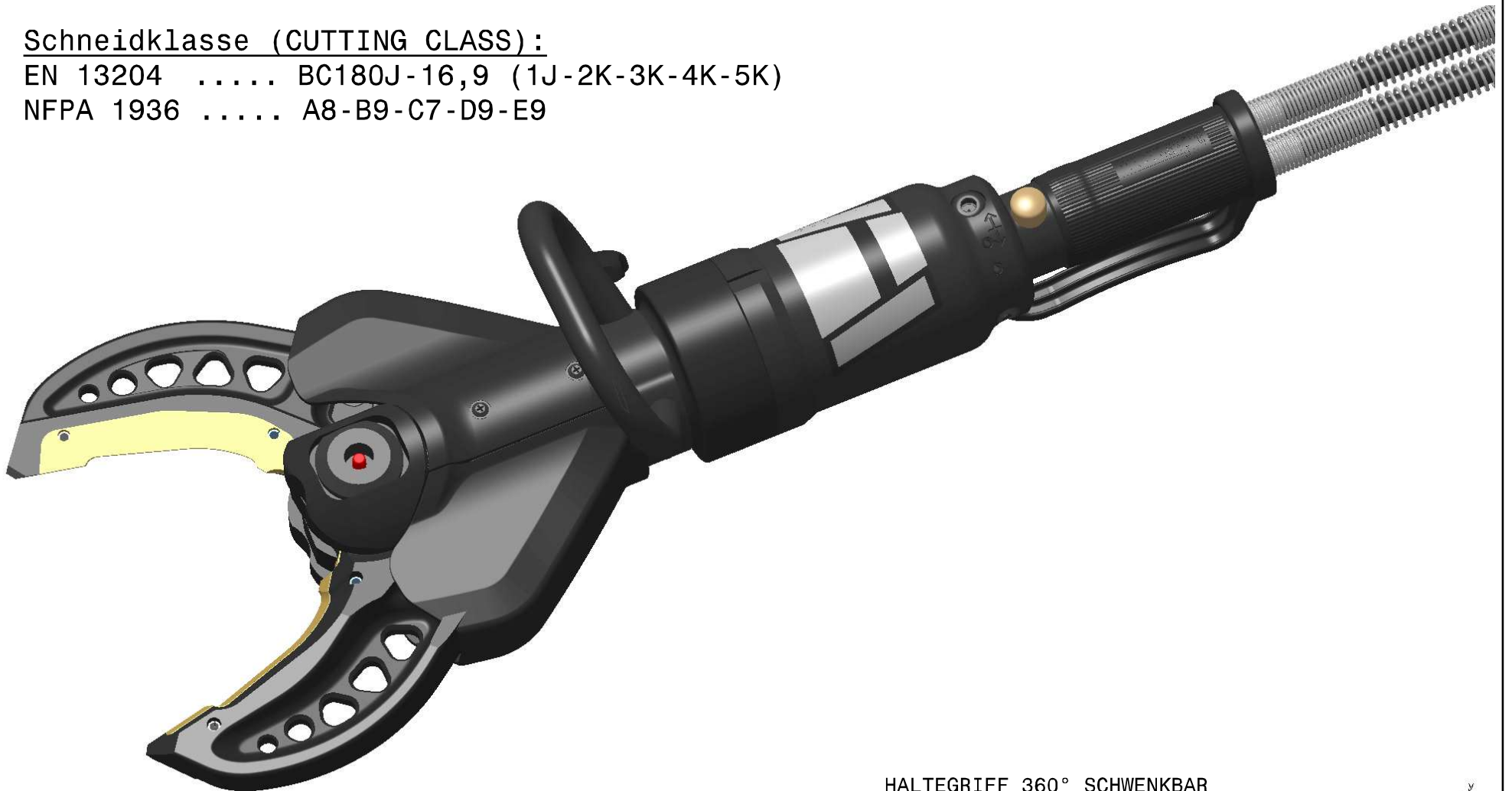


TECHN. DATEN (TECHNICAL DATA):

NENNDRUCK (NOMINAL PRESSURE) PN 70 MPa (700bar)
 PRÜFDRUCK (TEST PRESSURE) PP 84 MPa (840bar)
 GEWICHT (WEIGHT) 16,9 kg
 (INKL. 0,3m SCHLÄUCHE U. KUPPLUNGEN; INCL. 0,3m HOSES AND COUPLINGS)
 ÖLBEDARF (REQUIRED OIL VOLUME) 0,2 l

Schneidklasse (CUTTING CLASS):

EN 13204 BC180J-16,9 (1J-2K-3K-4K-5K)
 NFPA 1936 A8-B9-C7-D9-E9



GEPR. JSC
CHECK.

GEZ. KST
DRAW. DAT. 22.06.16

KST
AEND.-DATUM
MOD.-DATE 08.02.17

170091
C

AEND.-NR.
MOD.-NO.
REVISION
REVISION

FREIMASSTOLERANZEN * (GENERAL TOLERANCES)	LAENGENMASS (LENGHT)mm				WINKELMASS (ANGLE)	
	...50	50...250	250...1000	1000...	...180°	...
	±1,5	±2,0	±3,0	±5,0	TOLERANZ (TOLERANCE)	±10°