

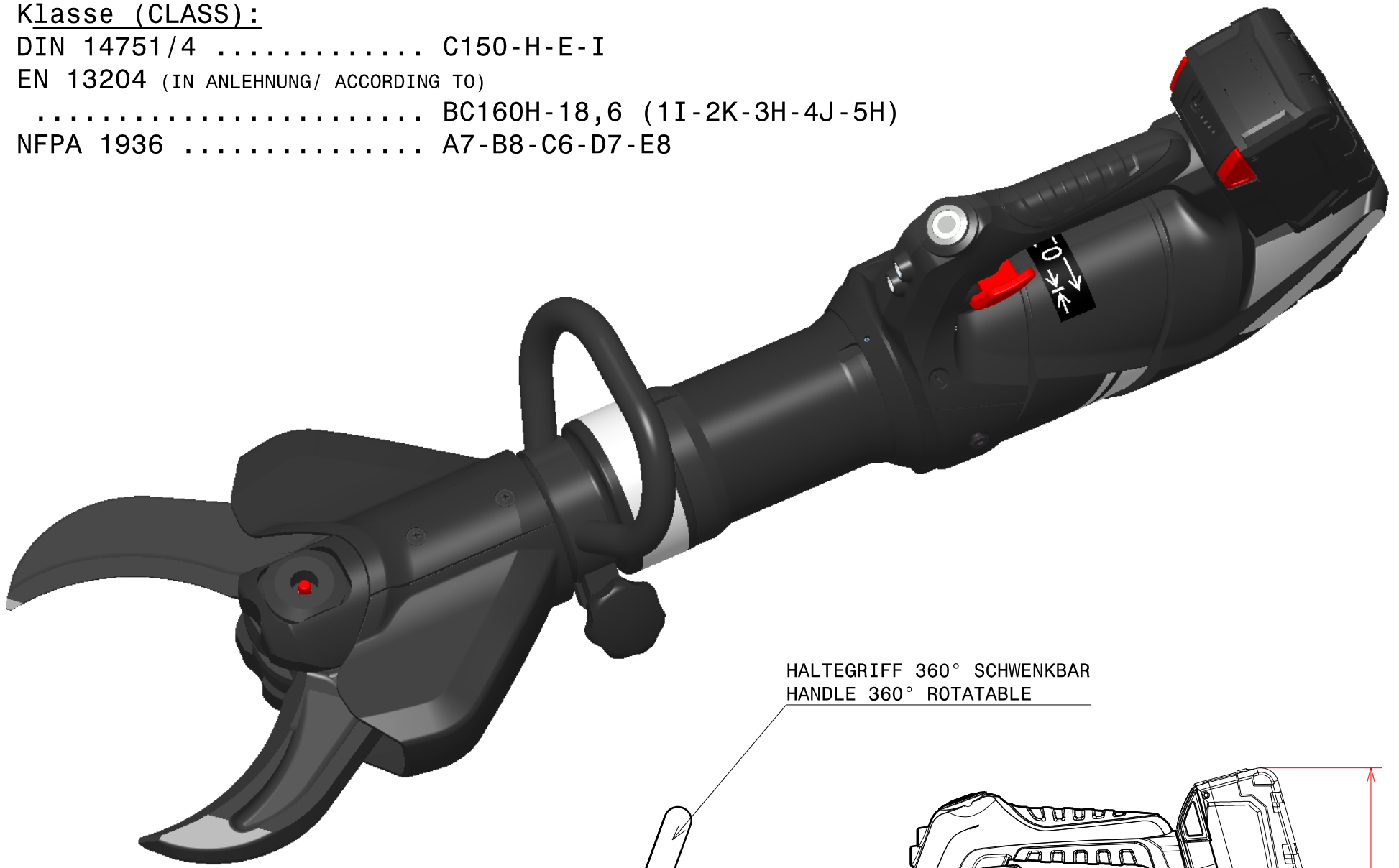
**TECHN. DATEN (TECHNICAL DATA):**

NENNDRUCK (NOMINAL PRESSURE) PN ..... 70 MPa (700bar)  
 GEWICHT (WEIGHT) ..... 18,6 kg (INCL. AKKU)  
 MAX. SCHNEIDKRAFT (CUTTING FORCE) ... 683 kN (70t)  
 BETRIEBSSPANNUNG (OPERATING VOLTAGE) . 28 V DC

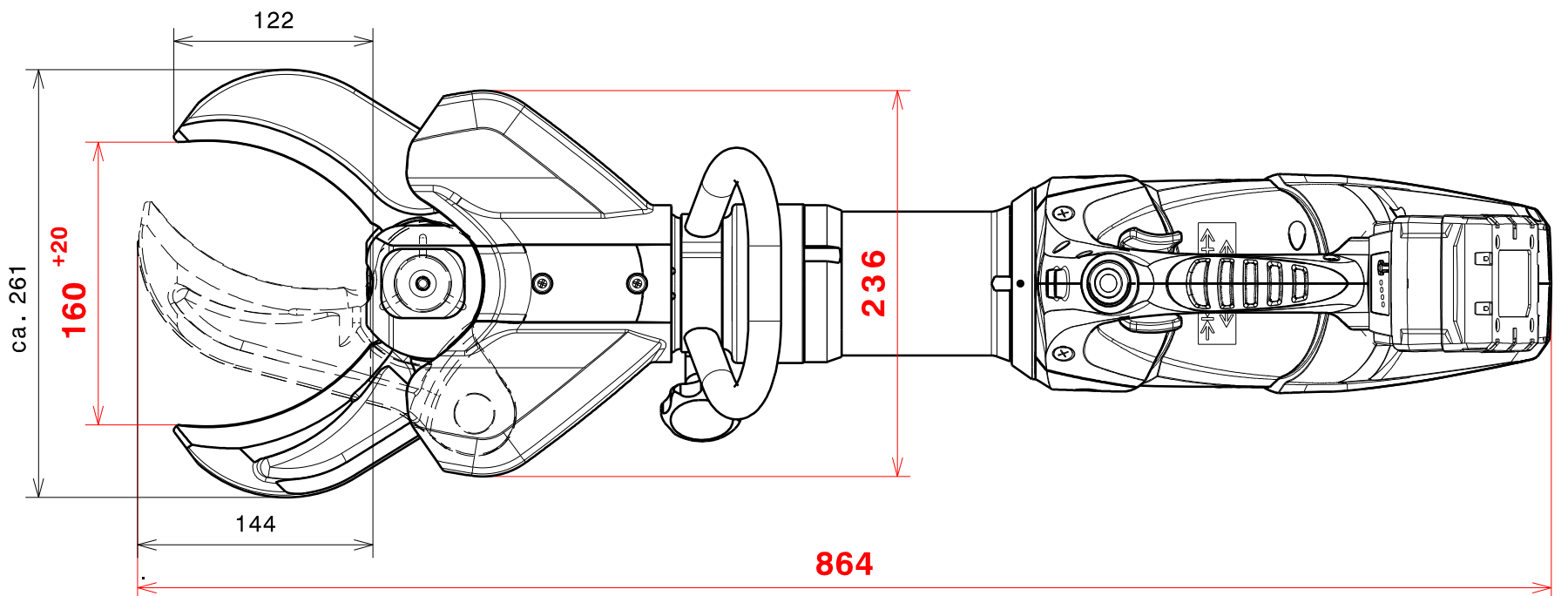
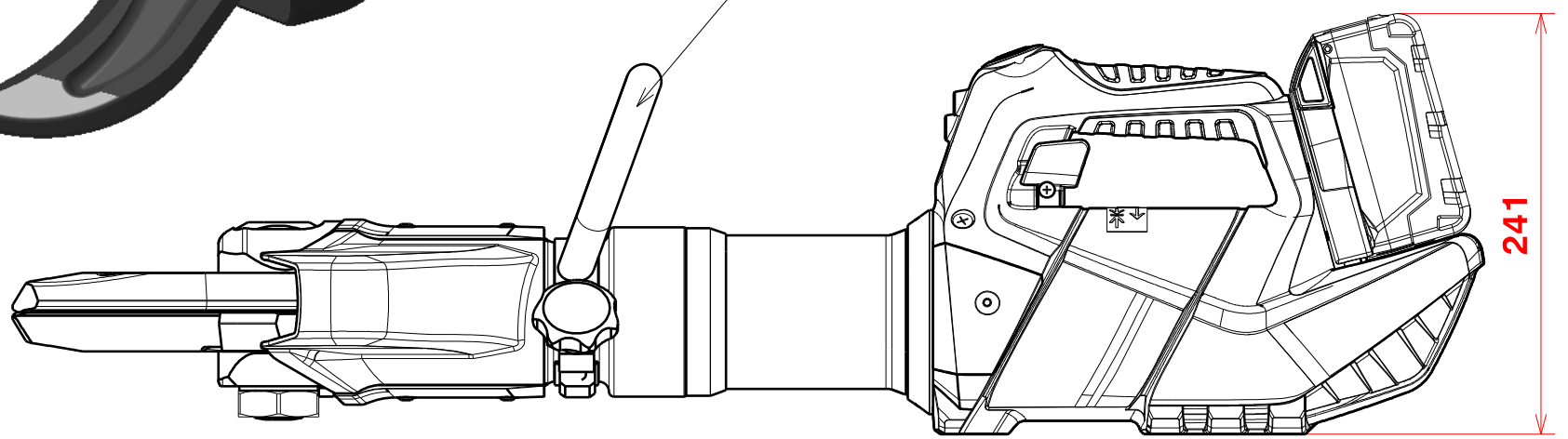
**Klasse (CLASS):**

DIN 14751/4 ..... C150-H-E-I  
 EN 13204 (IN ANLEHNUNG/ ACCORDING TO)  
 ..... BC160H-18,6 (1I-2K-3H-4J-5H)  
 NFPA 1936 ..... A7-B8-C6-D7-E8

Technische Änderungen vorbehalten. Subject to revision.



HALTEGRIF 360° SCHWENKBAR  
HANDLE 360° ROTATABLE



GEPR. JSC  
CHECK.

GEZ. KST  
DRAW. DAT. 26.05.15

GEAEND. RST  
MODIF. 10.01.18

AEND.-NR. 170854  
MOD.-NO. D  
REVISION REVISION

TOLERANZEN (TOLERANCES)	LAENGENMASS (LENGHT)mm	... 50	50...250	250...1000	1000...	WINKELMASS (ANGLE)	...180°
GEWICHT (WEIGHT) ±2%	TOLERANZ (TOLERANCE)mm	±1,5	± 2,0	± 3,0	± 5,0	TOLERANZ (TOLERANCE)	±10°