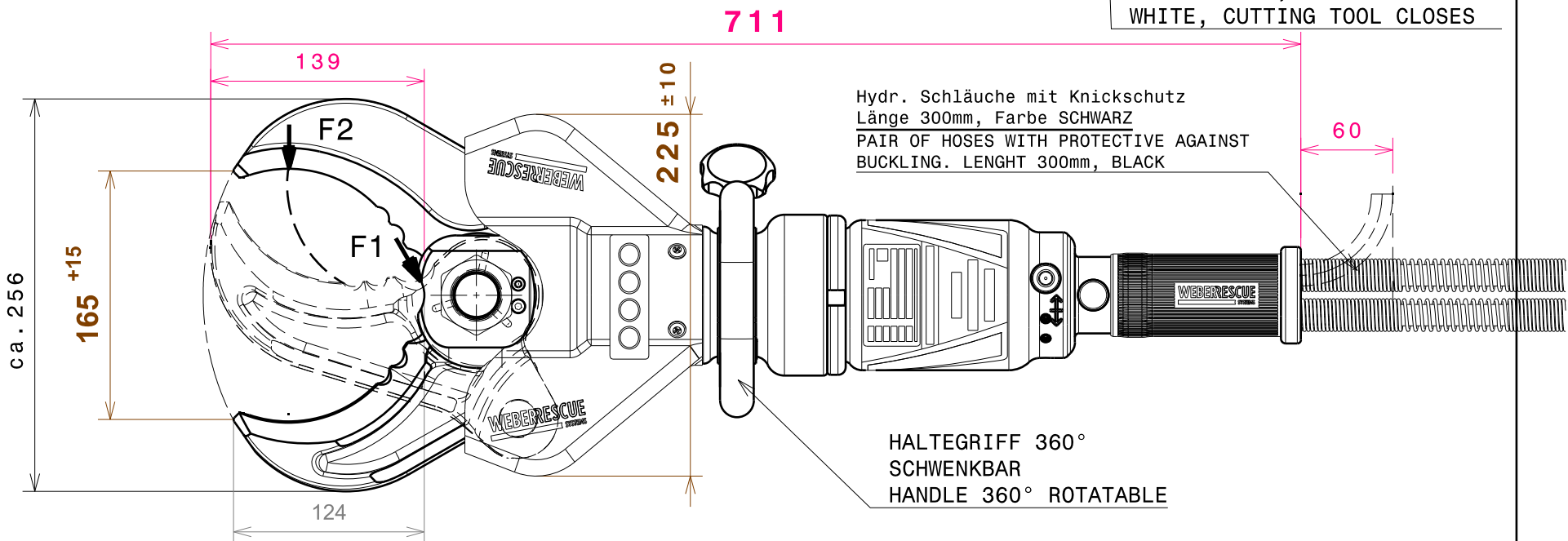
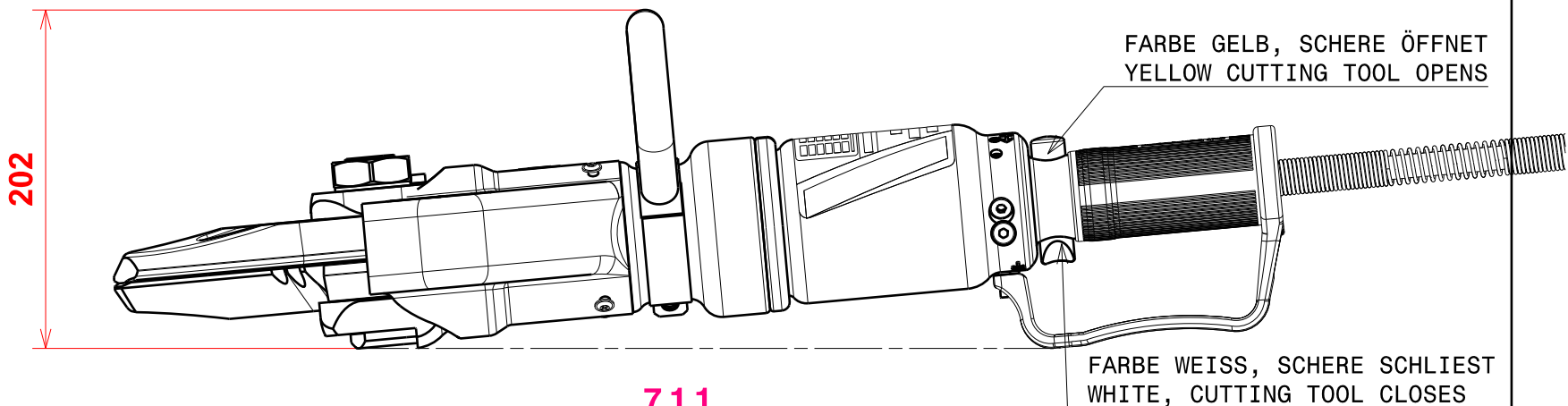
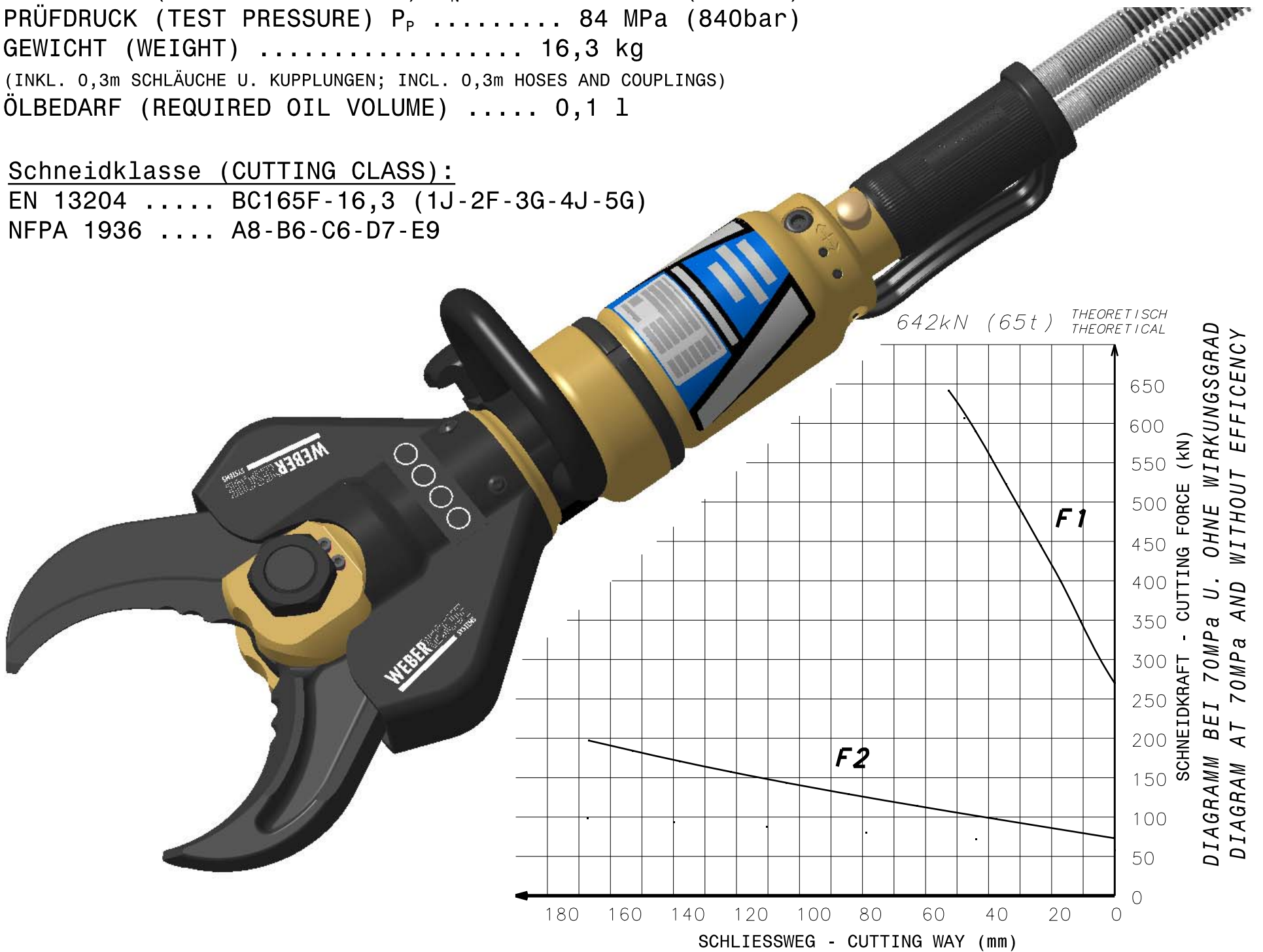


**TECHN. DATEN (TECHNICAL DATA):**

NENNDRUCK (NOMINAL PRESSURE)  $P_N$  ..... 70 MPa (700bar)  
 PRÜFDRUCK (TEST PRESSURE)  $P_P$  ..... 84 MPa (840bar)  
 GEWICHT (WEIGHT) ..... 16,3 kg  
 (INKL. 0,3m SCHLÄUCHE U. KUPPLUNGEN; INCL. 0,3m HOSES AND COUPLINGS)  
 ÖLBEDARF (REQUIRED OIL VOLUME) ..... 0,1 l

**Schneidklasse (CUTTING CLASS):**

EN 13204 ..... BC165F-16,3 (1J-2F-3G-4J-5G)  
 NFPA 1936 ..... A8-B6-C6-D7-E9



GEPR. JSC  
CHECK.

GEZ. KST  
DRAW. DAT. 14.11.05

GEAEND. KSt  
MODIF. AEND.-DATUM 19.01.17  
MOD.-DATE

170043 E

AEND.-NR.  
MOD.-NO.  
REVISION REVISION

TOLERANZEN (TOLERANCES)	LAENGENMASS (LENGTH)mm	...50	50...250	250...1000	1000...	WINKELMASS (ANGLE)	...180°
GEWICHT (WEIGHT) ±2%	TOLERANZ (TOLERANCE)mm	±1,5	± 2,0	± 3,0	± 5,0	TOLERANZ (TOLERANCE)	±10°