

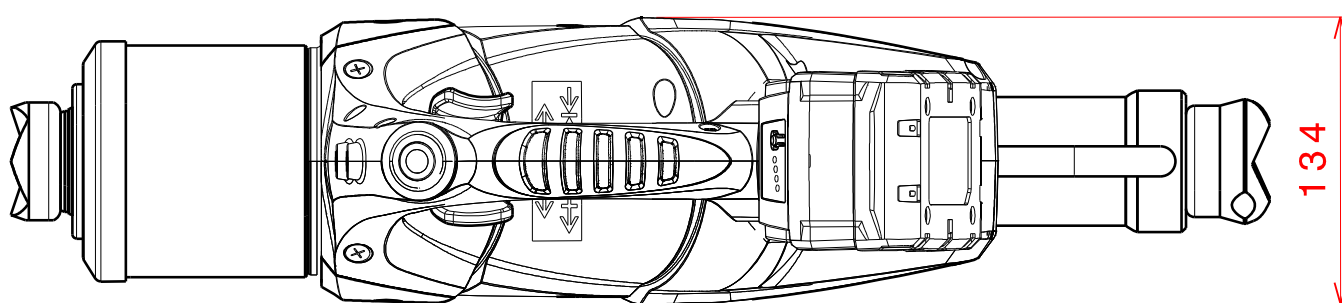
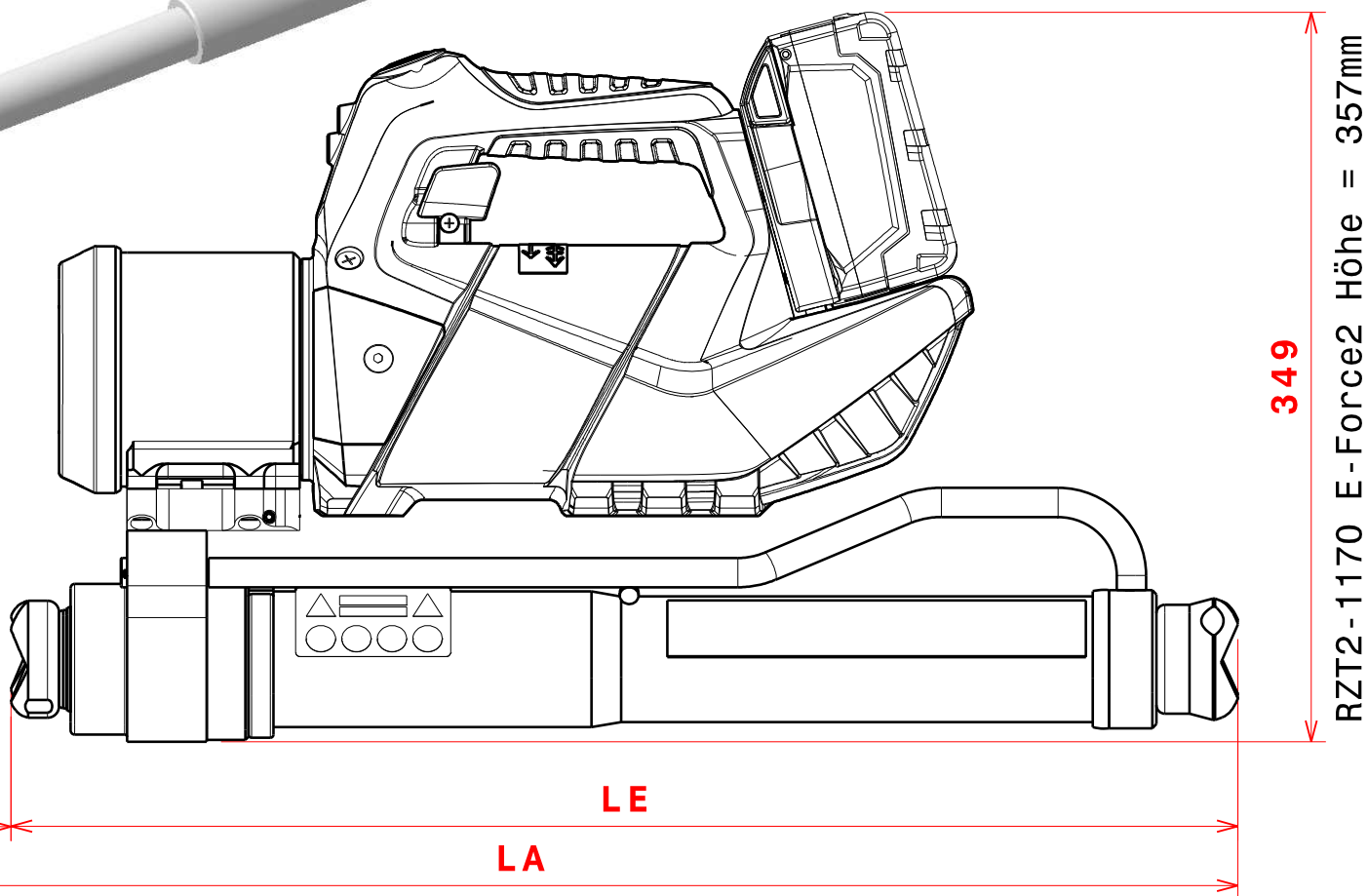
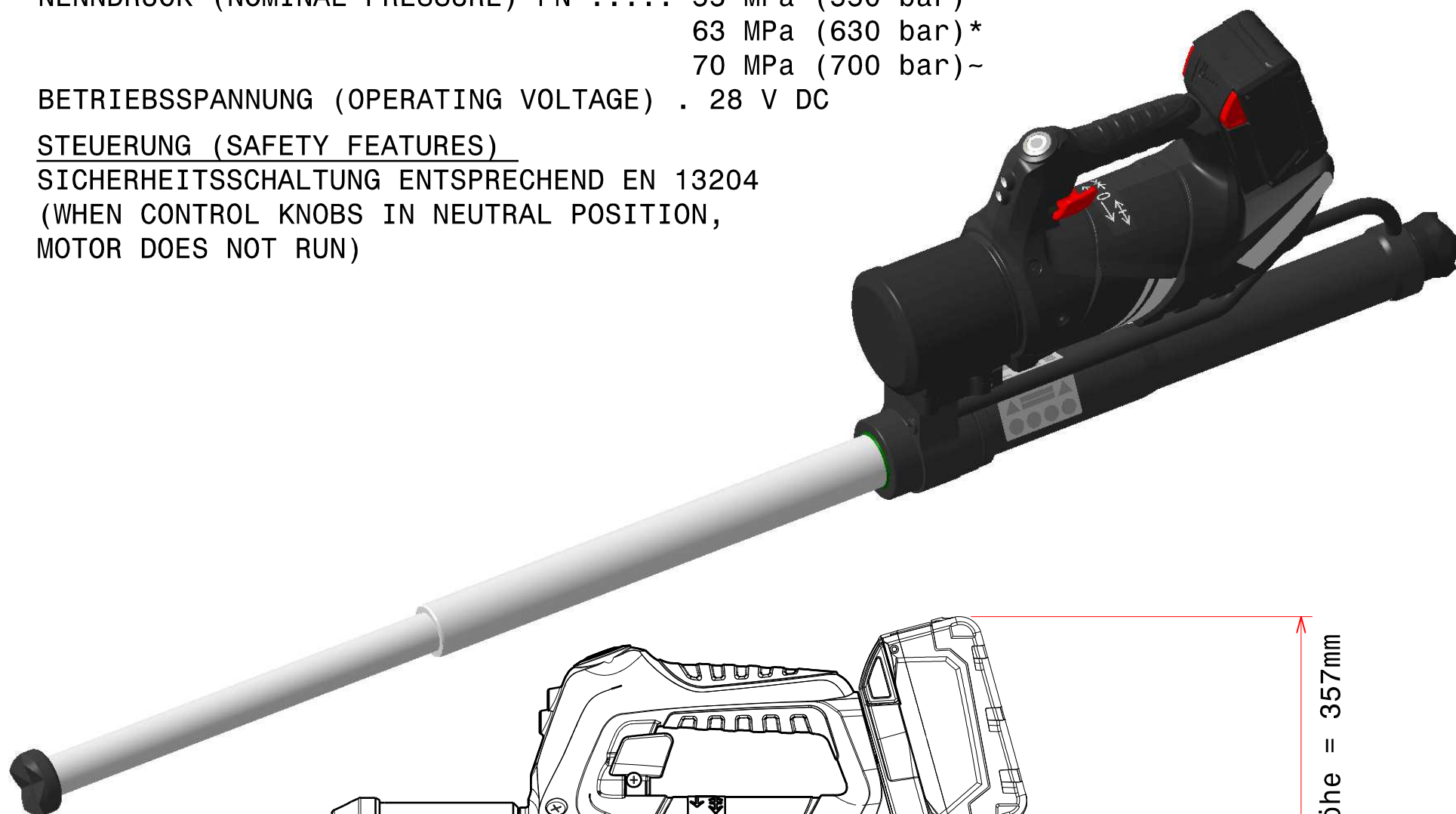
TECHN. DATEN (TECHNICAL DATA):

NENNDRUCK (NOMINAL PRESSURE) PN 55 MPa (550 bar)
63 MPa (630 bar)*
70 MPa (700 bar)~

BETRIEBSSPANNUNG (OPERATING VOLTAGE) . 28 V DC

STEUERUNG (SAFETY FEATURES)

SICHERHEITSSCHALTUNG ENTSPRECHEND EN 13204
(WHEN CONTROL KNOBS IN NEUTRAL POSITION,
MOTOR DOES NOT RUN)



Technische Änderung vorbehalten, Subject to revision.

GEPR. KST
CHECK.

GEZ. KST
DRAW. DAT. 25.08.15

Csc1
06.02.18

GEAEND. MODIF.
AEND.-DATUM MOD.-DATE

AEND.-NR. 180064
REVISION I

TYPE + IDENTNUMMER TYPE + PART NO:	LE	HUB STROKE 1. STUFE STAGE	HUB STROKE 2. STUFE STAGE	LA	GEWICHT (inkl. Akku) WEIGHT (incl. battery)	DRUCKKRAFT PUSHING FORCE 1. STUFE 1. STAGE	DRUCKKRAFT PUSHING FORCE 2. STUFE 2. STAGE	KLASSIFIZIERUNG CLASSIFICATION DIN 14751-4
-	-	-	-	-	-	-	-	-
RZT2-1170 E-FORCE2~1088997	540	360	270	1170	20,4kg	189,4kN	99,0kN	TR189/360-99/270-20,4-E-I
RZT2-1205 E-FORCE2*1083786	586	429	216	1231	19,6kg	123,7kN	71,7kN	TR124/429-62/216-19,6-E-I
RZT2-1360 E-FORCE2 1078342	586	428	372	1386	20,1kg	108,0kN	62,0kN	TR108/428-62/372-20,1-E-I
RZT2-1500 E-FORCE2 1081519	700	428	372	1500	21,4kg	108,0kN	62,0kN	TR108/428-62/372-21,4-E-I
TOLERANZEN (TOLERANCES) GEWICHT (WEIGHT) ±2%	LAENGENMASS (LENGHT)mm	...50	50...250	250...1000	1000...	WINKELMASS (ANGLE)		...180°
	TOLERANZ (TOLERANCE)mm	±1,5	±2,0	±3,0	±5,0	TOLERANZ (TOLERANCE)		±10°