

TECHN. DATEN (TECHNICAL DATA):

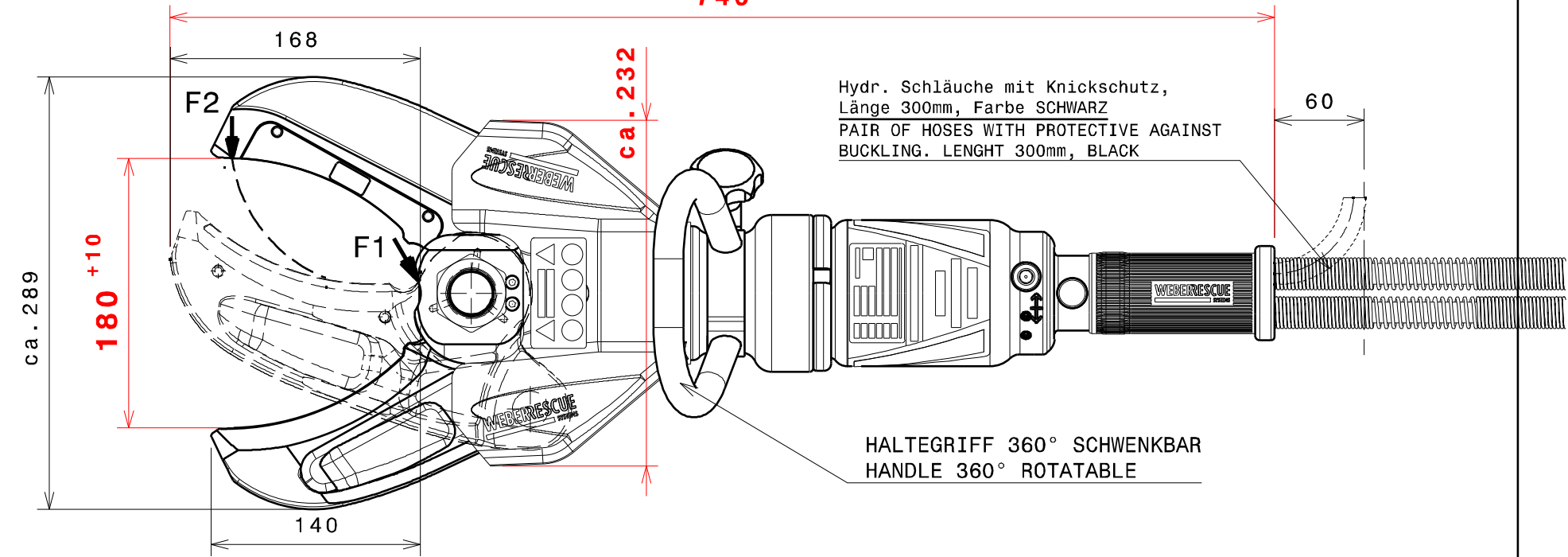
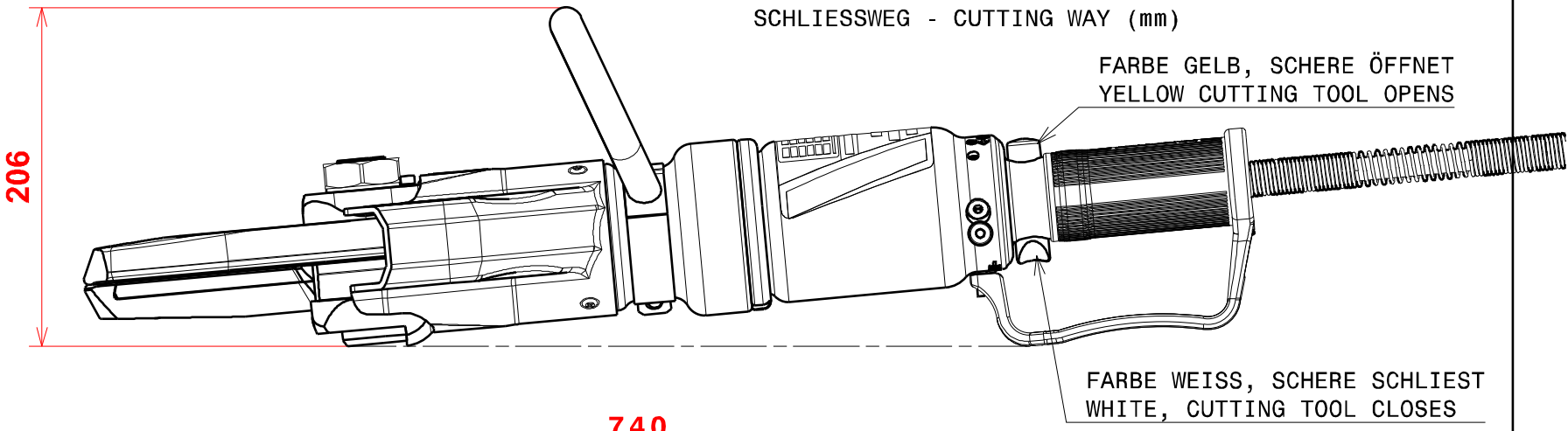
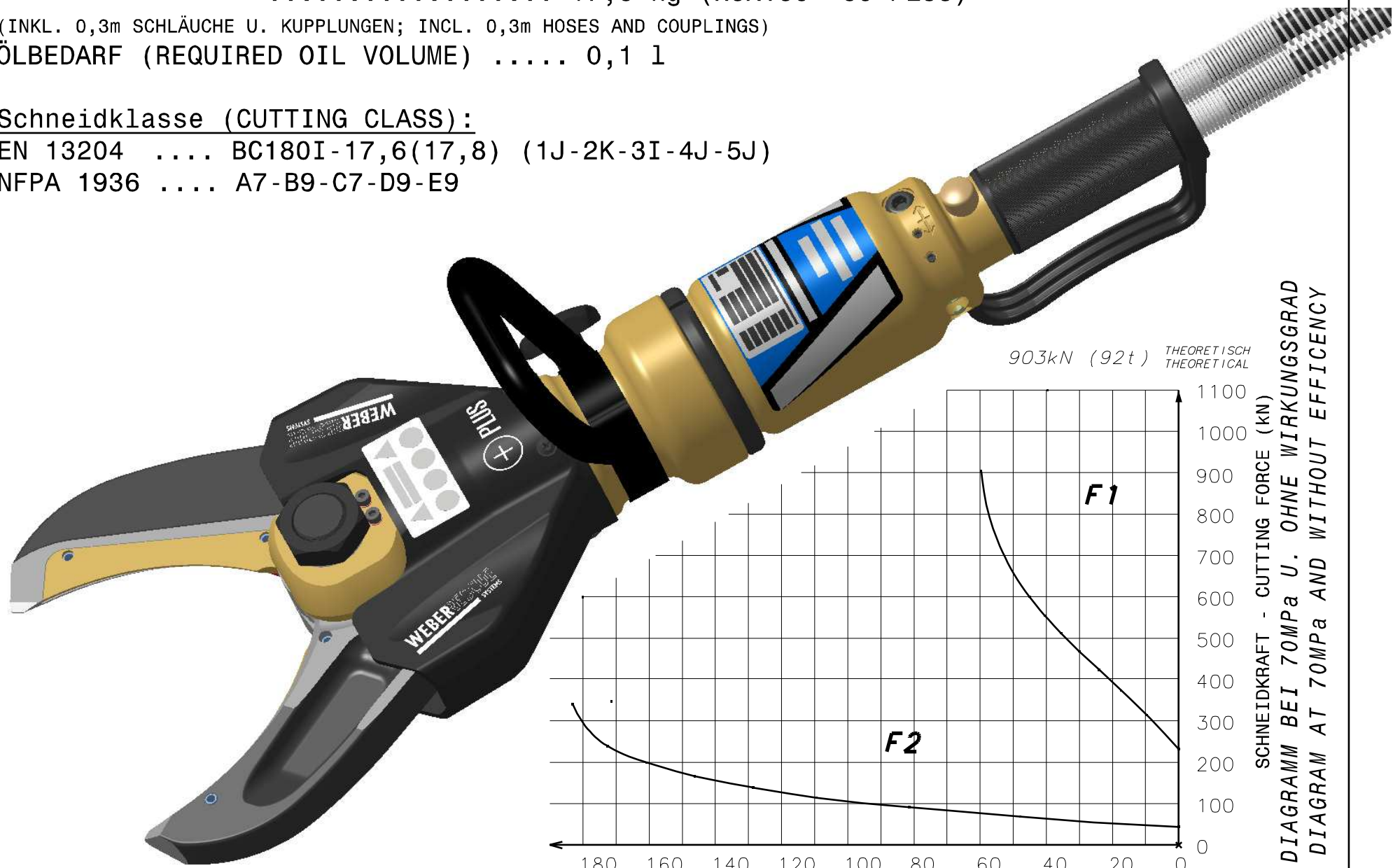
NENNDRUCK (NOMINAL PRESSURE) P_N 70 MPa (700bar)
 PRÜFDRUCK (TEST PRESSURE) P_p 84 MPa (840bar)
 GEWICHT (WEIGHT) 17,6 kg (RSX180- 80)
 17,8 kg (RSX180- 80 PLUS)

(INKL. 0,3m SCHLÄUCHE U. KUPPLUNGEN; INCL. 0,3m HOSES AND COUPLINGS)

ÖLBEDARF (REQUIRED OIL VOLUME) 0,1 l

Schneidklasse (CUTTING CLASS):

EN 13204 BC180I-17,6(17,8) (1J-2K-3I-4J-5J)
 NFPA 1936 A7-B9-C7-D9-E9



GEPR. JSC
CHECK.
GEZ. KST
DRAW. DAT. 22.12.11
KST
04.11.16
GAEAND. MODIF.
AEND.-DATUM MOD.-DATE
160769 D
AEND.-NR. MOD.-NO.
REVISION REVISION

TOLERANZEN (TOLERANCES)	LAENGENMASS (LENGTH)mm	...50	50...250	250...1000	1000...	WINKELMASS (ANGLE)	...180°
GEWICHT (WEIGHT) ±2%	TOLERANZ (TOLERANCE)mm	±1,5	±2,0	±3,0	±5,0	TOLERANZ (TOLERANCE)	±10°