

TECHN. DATEN (TECHNICAL DATA):

NENNDRUCK (NOMINAL PRESSURE) P_N 70 MPa (700bar)

PRÜFDRUCK (TEST PRESSURE) P_P 84 MPa (840bar)

GEWICHT (WEIGHT) 14,4 kg

(INKL. 0,3m SCHLÄUCHE U. KUPPLUNGEN; INCL. 0,3m HOSES AND COUPLINGS)

ÖLBEDARF (REQUIRED OIL VOLUME) 0,1 l

Schneidklasse (CUTTING CLASS):

EN 13204 BC170H-14,4 (1I-2H-3H-4K-5I)

NFPA 1936 ... A7-B7-C6-D8-E8

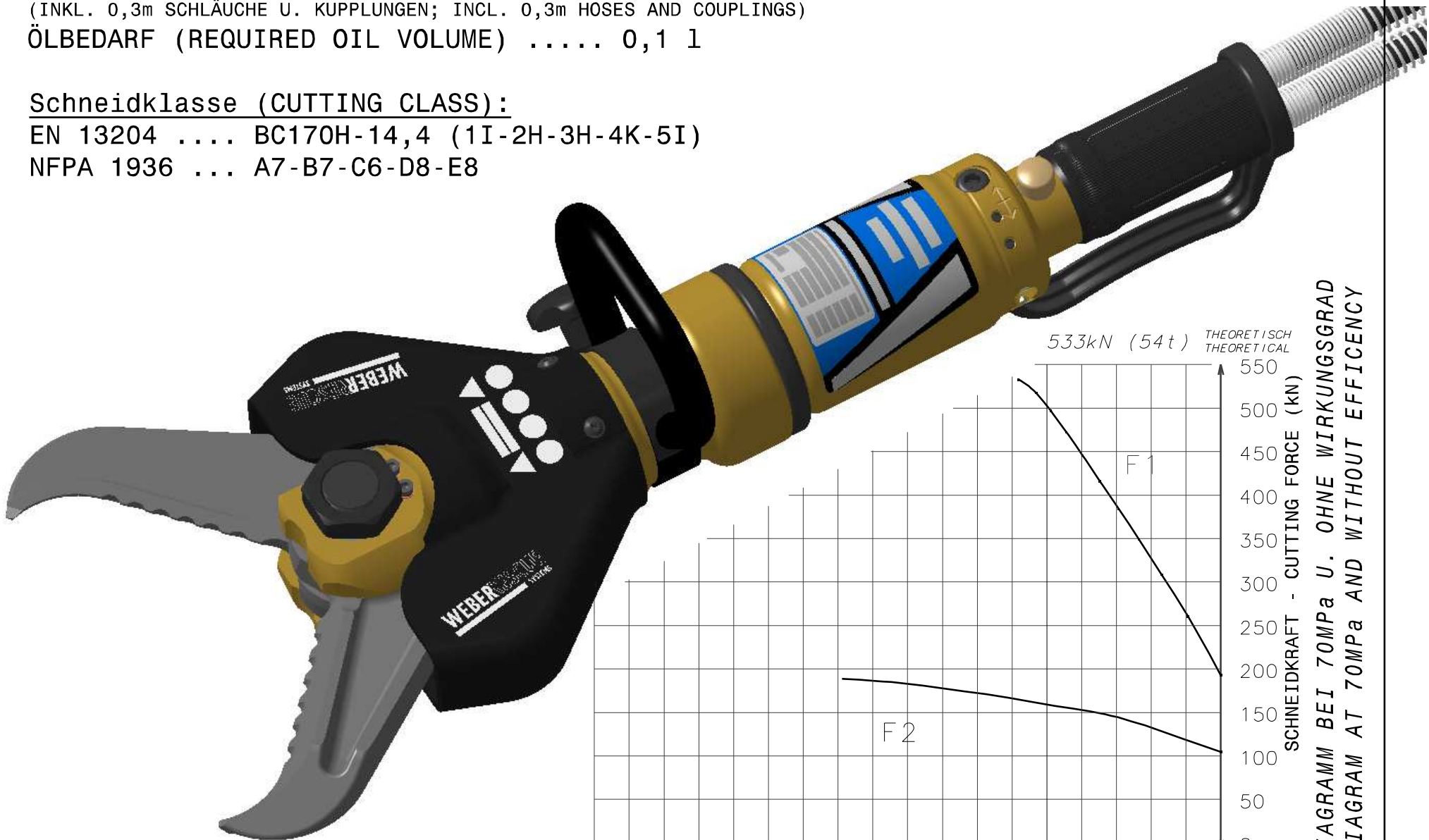
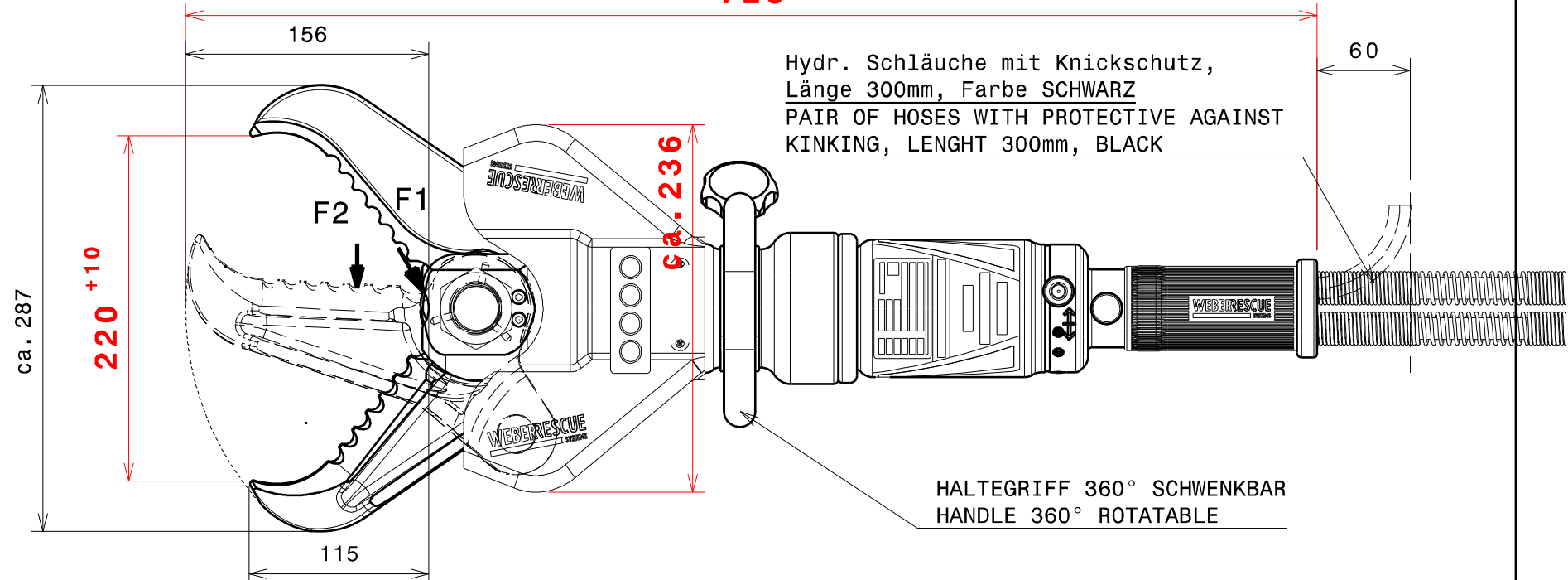
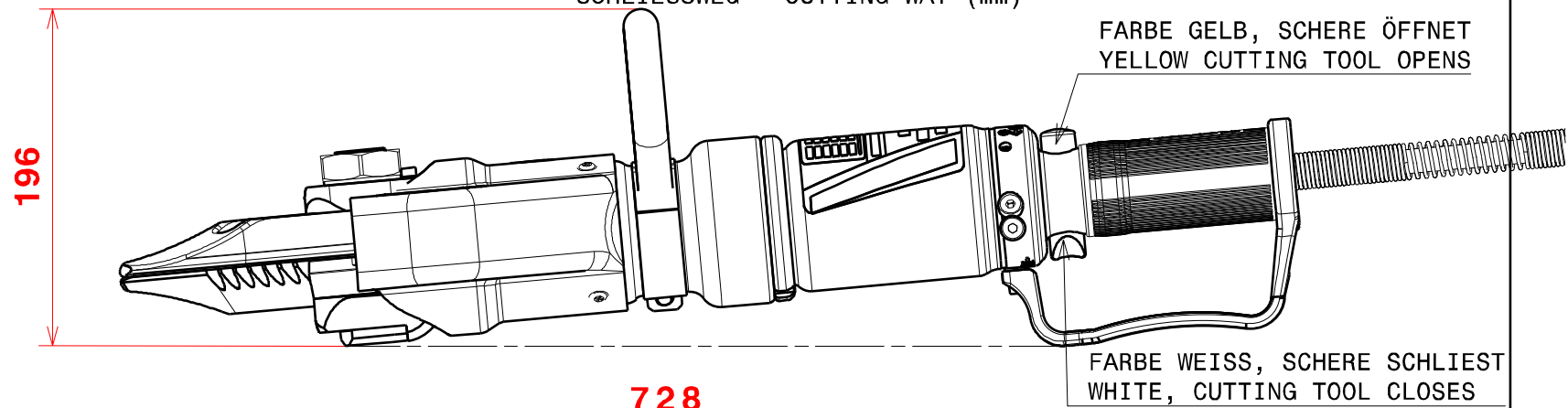


DIAGRAMM BEI 70MPa U. OHNE WIRKUNGSGRAD
DIAGRAM AT 70MPa AND WITHOUT EFFICIENCY

SCHLISSWEG - CUTTING WAY (mm)



GEPR. JSC
CHECK.
GEZ. KST
DRAW. DAT. 29.11.12
KST
31.10.16
GEAEND. MODIF.
AEND.-DATUM MOD.-DATE
160756
D
AEND.-NR. MOD.-NO.
REVISION REVISION

TOLERANZEN (TOLERANCES)	LAENGENMASS (LENGHT)mm	...50	50...250	250...1000	1000...	WINKELMASS (ANGLE)	...180°
GEWICHT (WEIGHT) ±2%	TOLERANZ (TOLERANCE)mm	±1,5	±2,0	±3,0	±5,0	TOLERANZ (TOLERANCE)	±10°