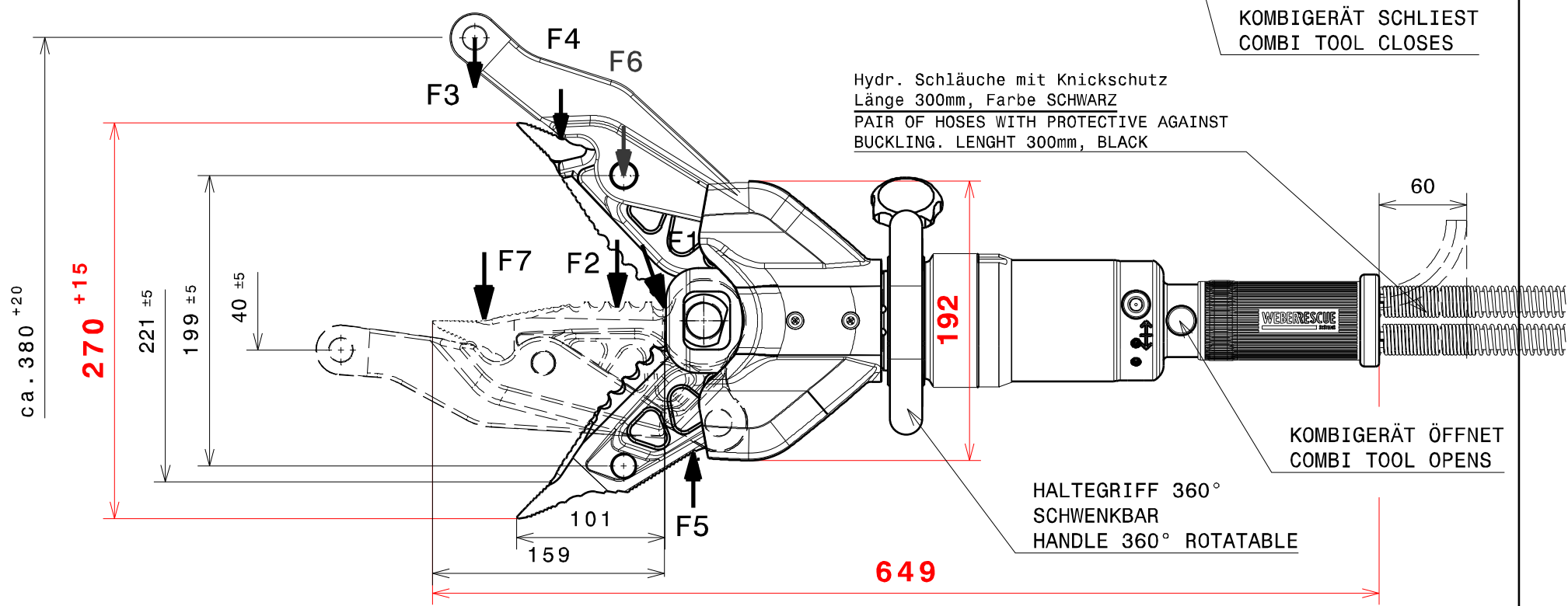
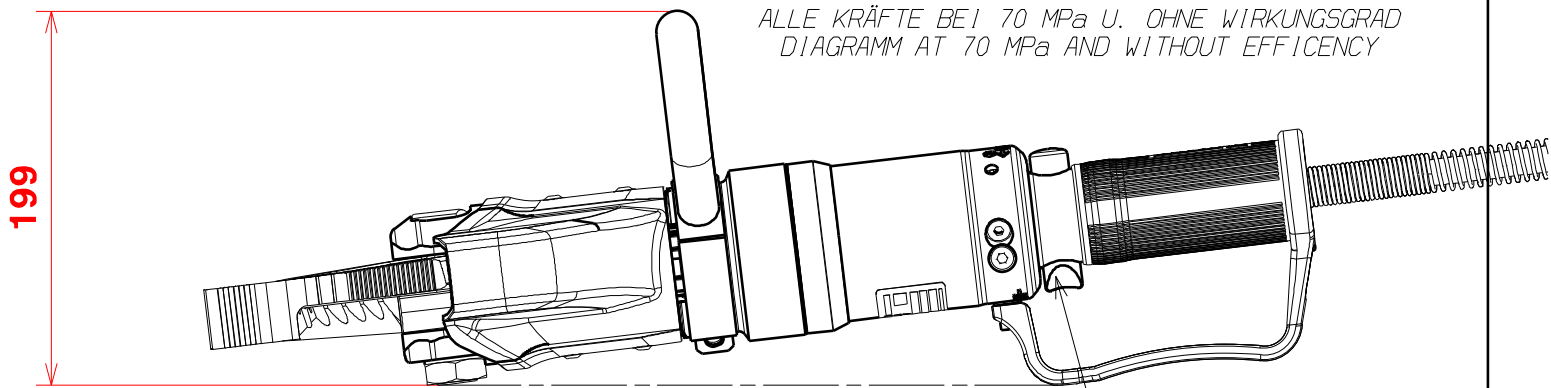
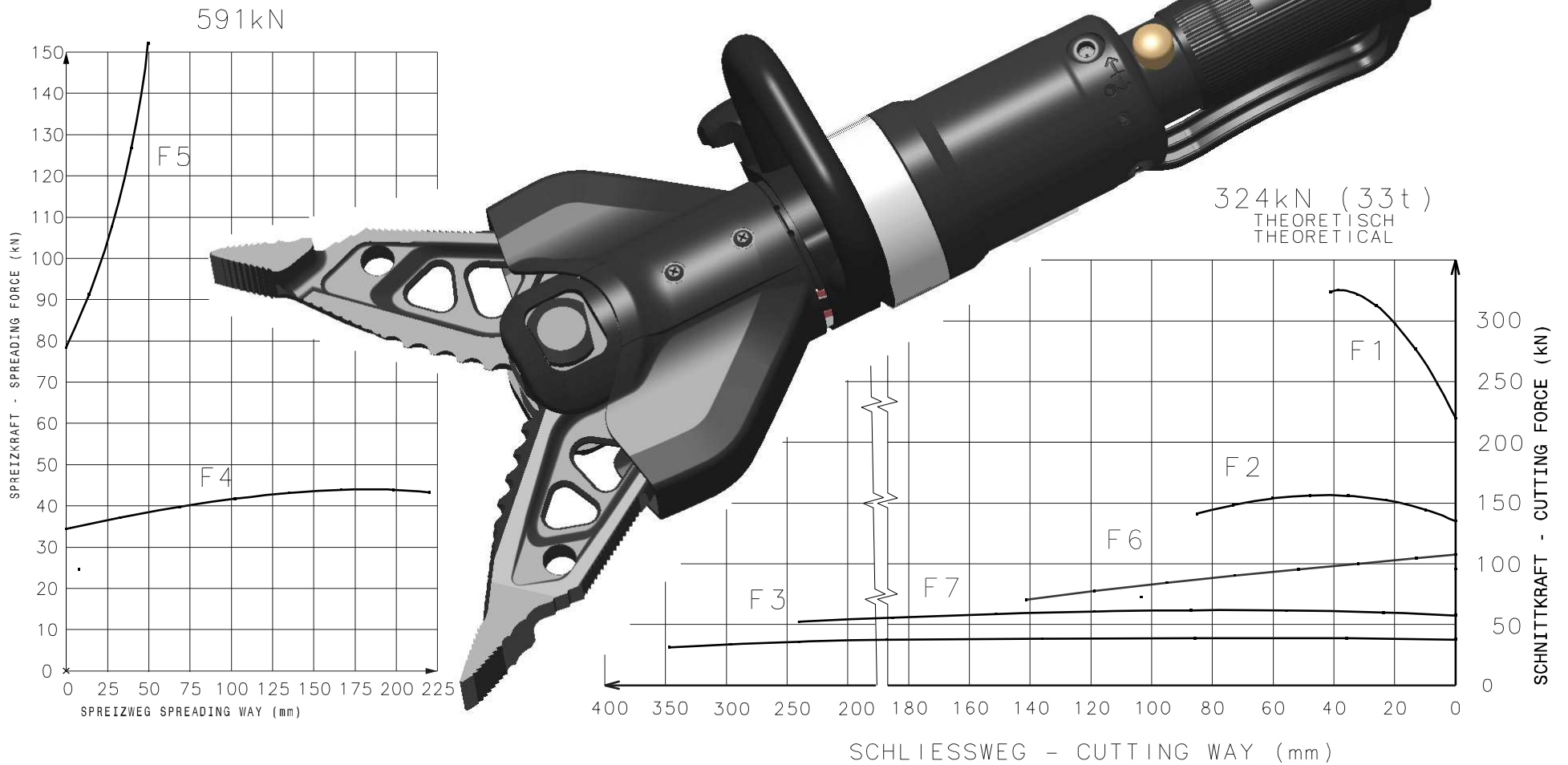


TECHN. DATEN (TECHNICAL DATA):

NENNDRUCK (NOMINAL PRESSURE) P_N 70 MPa (700bar)
 PRÜFDRUCK (TEST PRESSURE) P_P 84 MPa (840bar)
 GEWICHT (WEIGHT) 9,7 kg
 (INKL. 0,3m SCHLÄUCHE U. KUPPLUNGEN; INCL. 0,3m HOSES AND COUPLINGS)
 ÖLBEDARF (REQUIRED OIL VOLUME) 0,053 l

Klasse (CLASS):

EN 13204 BK31/270G-9,7 (1H-2G-3G-4H-5G)
 NFPA 1936 A6-B7-C6-D7-E7



GEPR. JSC
 GEZ. KST
 GEÄND. KST
 MOD. DATE
 AEND.-DATUM 26.04.17
 MOD.-DATE
 AEND.-NR. 170269
 MOD.-NO.
 REVISION A

TOLERANZEN (TOLERANCES)	LAENGENMASS (LENGHT)mm	...50	50...250	250...1000	1000...	WINKELMASS (ANGLE)	...180°
GEWICHT (WEIGHT) ±2%	TOLERANZ (TOLERANCE)mm	±1,5	± 2,0	± 3,0	± 5,0	TOLERANZ (TOLERANCE)	±10°