

(D+E)

WEBERRESCUE
SYSTEMS

AKKU KOMBIGERÄT
AKKU COMBI TOOL

SPS370 E-FORCE2
ID.1077676

MASSBLATT NR. :
60003032

TECHN. DATEN (TECHNICAL DATA):

NENNDRUCK (NOMINAL PRESSURE) P_N 70 MPa (700bar)
GEWICHT (WEIGHT) 19,9 kg (INCL. AKKU)
BETRIEBSSPANNUNG (OPERATING VOLTAGE) . 28 V DC

Klasse (CLASS):

DIN 14751/4 K30H-E-I
EN 13204 (IN ANLEHNUNG/ ACCORDING TO)
..... CK37/370H-19,9 (1I-2J-3H-4J-5I)
NFPA 1936 A7-B8-C7-D8-E8

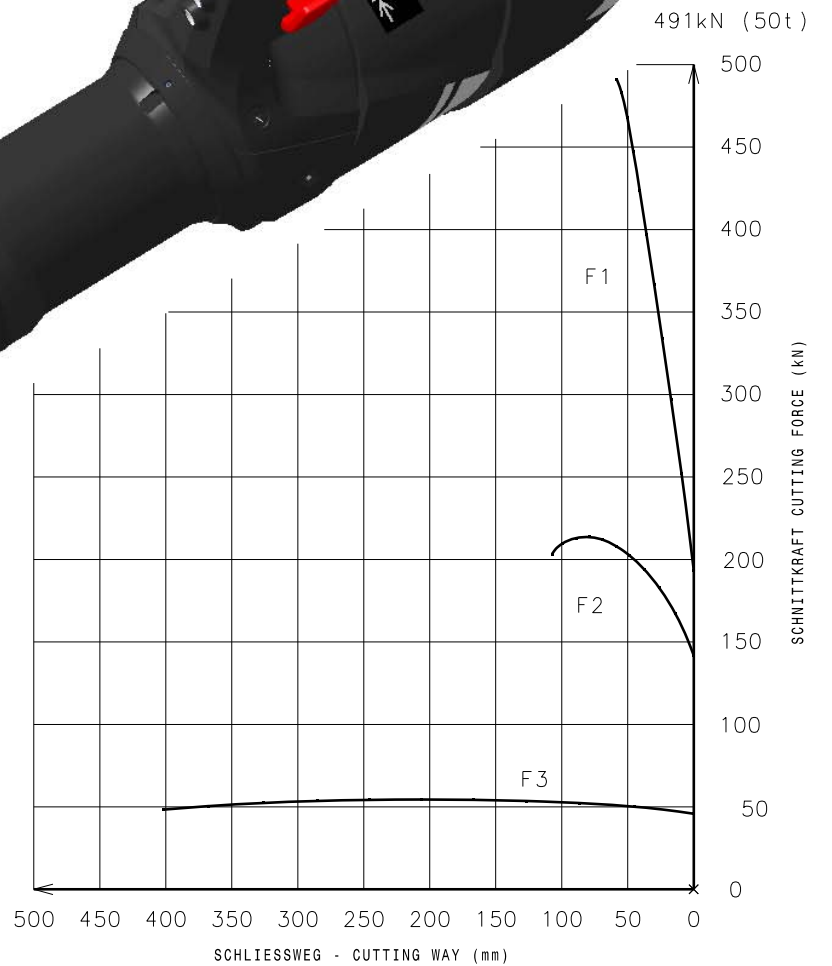
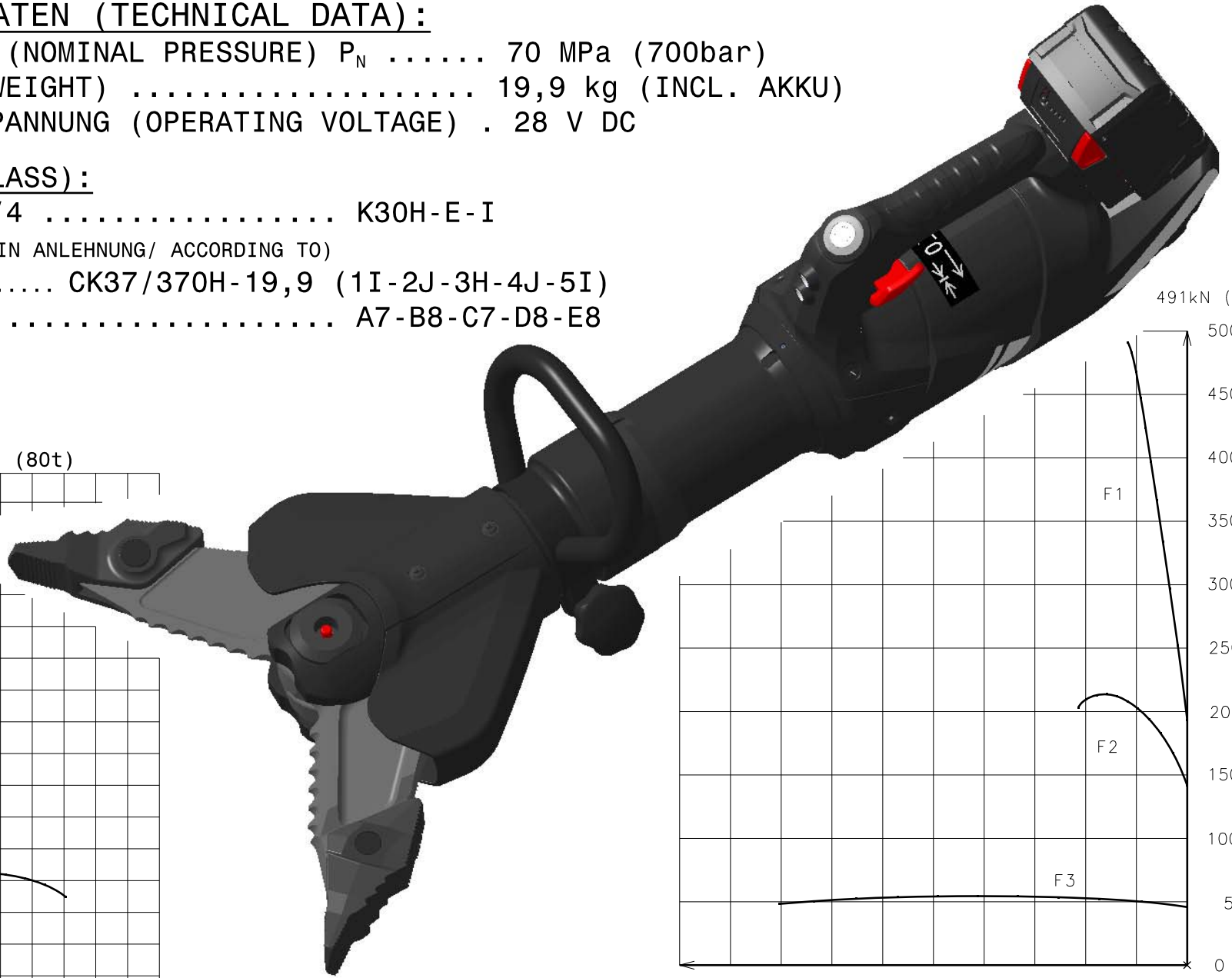
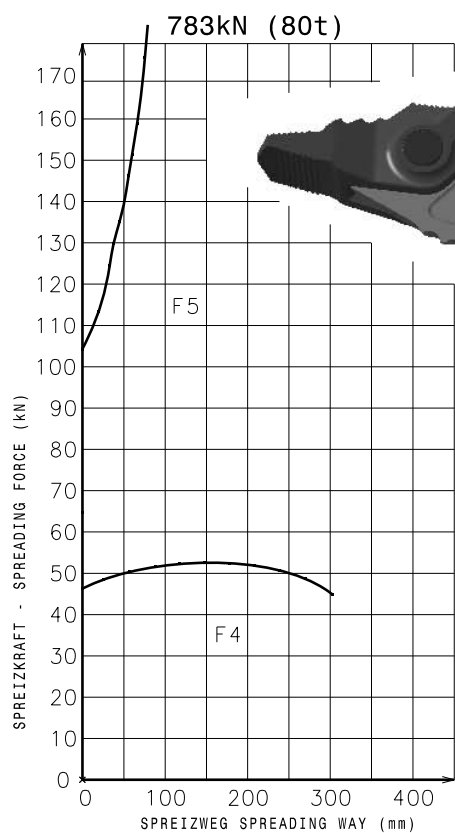
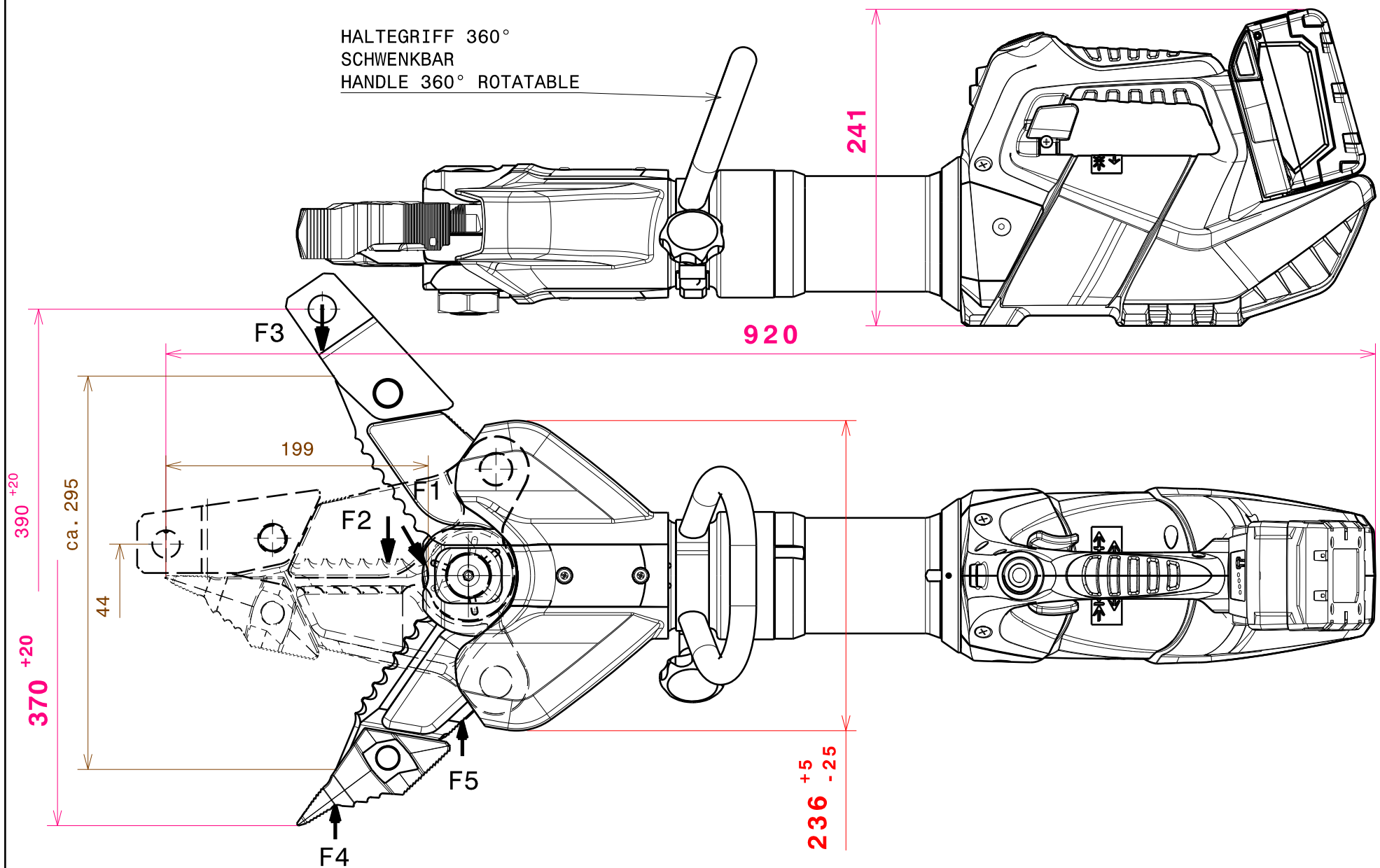


DIAGRAMM BEI 70 MPa u. OHNE WIRKUNGSGRAD
DIAGRAMM AT 70 MPa AND WITHOUT EFFICENCY

HALTEGRIFF 360°
SCHWENKBAR
HANDLE 360° ROTATABLE



GEPR. JSC
CHECK.

GEZ. KST
DRAW. DAT. 26.05.15

GEAEND. Dst
MODIF. 19.01.17

AEND.-NR. 170043
MOD.-NO. D
REVISION
REVISION

TOLERANZEN (TOLERANCES)	LAENGMASS (LENGHT)mm	... 50	50... 250	250... 1000	1000...	WINKELMASS (ANGLE)	... 180°
GEWICHT (WEIGHT) ±2%	TOLERANZ (TOLERANCE)mm	±1,5	± 2,0	± 3,0	± 5,0	TOLERANZ (TOLERANCE)	±10°