

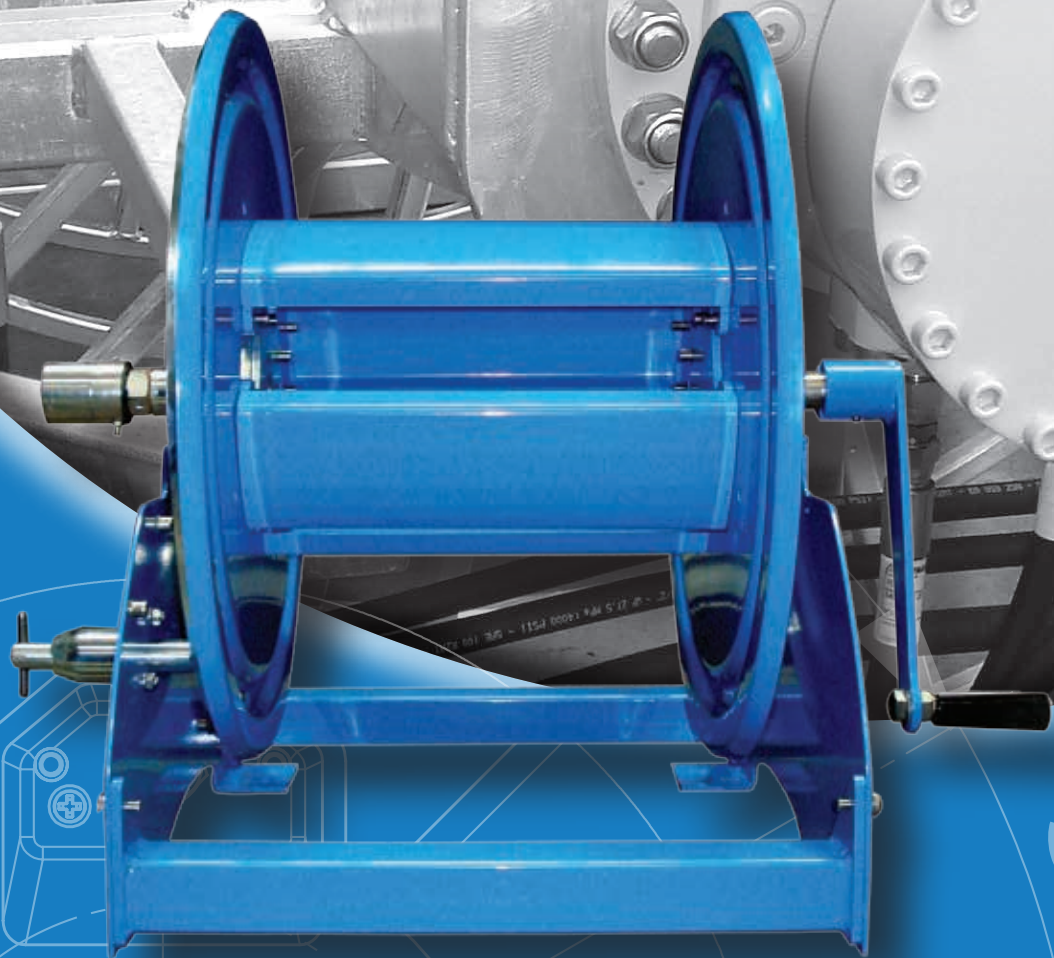


Recoil

HOSE AND CORD REELS

C SERIES

HEAVEY DUTY MULTI PURPOSE REELS



30°



HOSE REELS.

Our total, dedicated business.

We've been making hose reels for decades - over 38 years in fact - and this manufacturing wisdom, coupled with competitive pricing, knowledgeable staff, a wealth of technical information and solid after-sales service positions us firmly at the forefront of our industry.

Our head office and factory is based in Sydney Australia, with a well-stocked distribution centre in Auckland NZ, as well as reputable distribution partners across the globe.

ReCoila has a fully equipped production facility and a team of experts to ensure our reels are designed and manufactured to exacting standards.

With a comprehensive range of hose, cord and cable reels and a dedicated custom design and manufacturing team, ReCoila can supply the right reel for your individual application - with safety and productivity in mind.

AUSTRALIAN MANUFACTURING. INTERNATIONAL DISTRIBUTION.

ReCoila is a proudly Australian company based in Western Sydney, with distribution reach across Australia, New Zealand and internationally.

We have resellers strategically based in key metro and regional areas to ensure delivery to customers is as swift as possible, and long standing relationships with our freight carriers mean that logistics are coordinated efficiently.

AUSTRALIAN MADE + QUALITY IMPORTS = COMPREHENSIVE RANGE.

Our range constitutes a wealth of engineered polypropylene and heavy duty steel and stainless steel reels, supplemented with hand-picked reels from some of the world's best manufacturers, to present a truly comprehensive product portfolio. And, our ability to design and manufacture customised reels in-house means that we're sure to have a reel to suit your needs.



VISIT
RECOILA
ONLINE





ENGINEERED CONFIDENCE.

WHY USE HOSE REELS?

Hose management and minimising risk



HAZARD:

DO HOSES REGULARLY LAY ACROSS PATHS AND WORK AREAS?



HAZARD:

ARE HOSES HEAVY OR AWKWARD TO MOVE?



HAZARD:

DO POORLY MANAGED OR POORLY MAINTAINED HOSES CREATE WET, SLIPPERY WORK AREAS?



HAZARD:

ARE HOSES BEING DAMAGED DUE TO POOR STORAGE, FOR EXAMPLE BEING RUN OVER BY FORKLIFTS OR VEHICLES?



HOW HOSES BECOME HAZARDS

You're no doubt aware that trips, falls and ergonomic injuries are common in even the most strictly regulated work environments.

Workplaces use hoses and cables for all manner of applications, each one carrying potential safety risks such as:

- Trips and falls due to stray hoses and cables
- Ergonomic injury if heavy, awkward hoses need to be moved
- Leakage (& consequently wet areas) causing slip hazards.

HOSE LIFE CAN BE AFFECTED TOO

Hoses themselves when left on the floor can be weakened by environmental contaminants, cleaning chemicals, being run over by work vehicles, or being bent or coiled tighter than the hoses natural bend radius, and will ultimately fail as the structure of the hose is weakened.

THE SOLUTION – AND THE FLOW ON BENEFITS

ReCoila can offer a high quality hose and cable management solution that can reduce the risk of trips and falls from hoses and improve your safety record.

Aside from making your workplace safer, the use of ReCoila hose reels will increase productivity through providing operators a more effective means of handling hoses, cords and cables in the workplace.

Higher productivity, reduced downtime and lower maintenance costs are an additional benefit of efficient hose management.



C SERIES

Heavy duty, multi-purpose



Ideally suited for a variety of applications, this simple but tough hose reel will handle a multitude of hose sizes, lengths and pressures.

The main axle is supported by ball bearings while the adjustable friction brake allows you to add or remove drag to prevent over spooling. The spool lock holds the spool fixed during transit, preventing overrun, and the open spool design allows air flow to help dry out wet areas and allow for easy cleaning.

A bolt together frame and spool constructed of 3mm steel plate offers easy access for maintenance and servicing.

Plus, the unique modular design of the C Series also allows the user to add or change drive systems in the field using a simple bolt on process.

C SERIES HAND CRANK REELS

APPLICATION

A simple, heavy duty hand crank hose reel for a wide range of applications.

HOSE TYPE	Supplied with or without hose
MEDIA	As per your hose type
CONSTRUCTION MATERIALS	Carbon Steel 304 Stainless Steel 316 Stainless Steel Aluminium
FINISH	Powder Coated Galvanized
OPTIONAL EXTRAS	4 way roller guides Gear guard Extra heavy duty wrap spreaders* Wall mount swivel bracket

Standard construction material is carbon steel.
*Note: we recommend heavy duty wrap spreaders for pressures above 2000 psi.



FEATURES

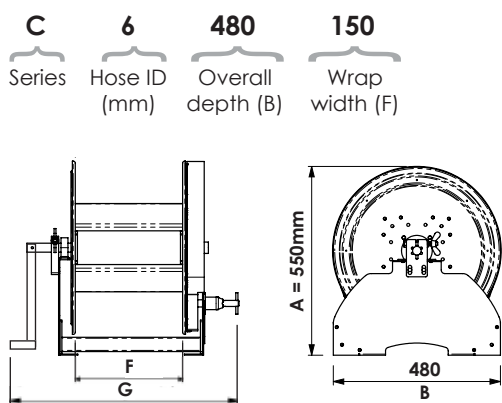
C10480300
LEFT HAND VERSION



C SERIES HAND CRANK

Model	Hose ID (mm)	Hose Capacity (m)	Max PSI	Overall Width (G)
C6480150	6	60	5000	505
C6480300	6	140	5000	655
C6480450	6	240	5000	805
C6480600	6	300	5000	955
C10480150	10	40	5000	505
C10480300	10	100	5000	655
C10480450	10	145	5000	805
C10480600	10	200	5000	955
C12480150	12	30	5000	505
C12480300	12	60	5000	655
C12480450	12	100	5000	805
C12480600	12	130	5000	955
C19480150	19	15	5000	505
C19480300	19	30	5000	655
C19480450	19	40	5000	805
C19480600	19	60	5000	955
C25480300	25	20	3000	655
C25480450	25	30	3000	805
C25480600	25	45	3000	955
CH38640350*	32 - 38	20	1500	734

DIMENSIONS



Detailed dimensional drawings available on request.
Quote drawing number ST11093-A.1

*CH Series Dimensions:
A = 680mm, B = 560mm, F = 350mm, G = 734mm

= Quick Ship Item, see inside back cover for more information.

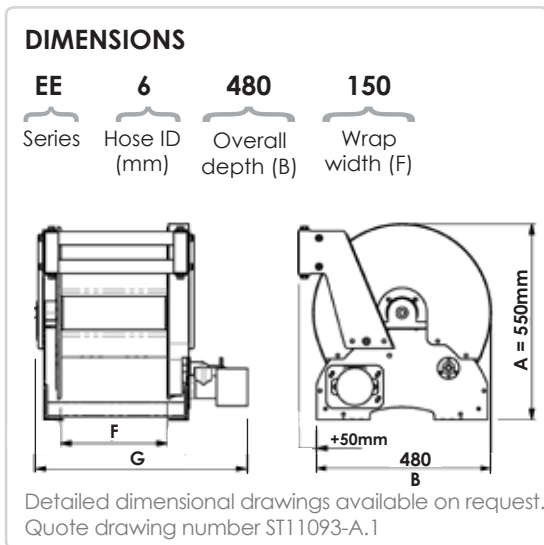
C SERIES 12VDC MOTOR DRIVEN REELS

APPLICATION

The 12VDC C Series reel is suitable for a wide range of applications where a motor driven reeling system is required.

- HOSE TYPE** Supplied with or without hose
- MEDIA** As per your hose type
- CONSTRUCTION MATERIALS** Carbon Steel
304 Stainless Steel
316 Stainless Steel
Aluminium
- FINISH** Powder Coated
Galvanized
- OPTIONAL EXTRAS** 4 way roller guides
Gear guard
Friction brake
Extra heavy duty wrap spreaders*
Wall mount swivel bracket

Standard construction material is carbon steel.
*Note: we recommend heavy duty wrap spreaders for pressures above 2000 psi.



EE19480600
RIGHT HAND VERSION

FEATURES



C SERIES 12VDC MOTOR DRIVEN

Model	Hose ID (mm)	Hose Capacity (m)	Max PSI	Overall Width (G)
EE6480150	6	60	5000	386
EE6480300	6	140	5000	536
EE6480450	6	240	5000	686
EE6480600	6	300	5000	836
EE10480150	10	40	5000	386
EE10480300	10	100	5000	536
EE10480450	10	145	5000	686
EE10480600	10	200	5000	836
EE12480150	12	30	5000	386
EE12480300	12	60	5000	536
EE12480450	12	100	5000	686
EE12480600	12	130	5000	836
EE19480150	19	15	5000	386
EE19480300	19	30	5000	536
EE19480450	19	40	5000	686
EE19480600	19	60	5000	836
EE25480300	25	20	3000	536
EE25480450	25	30	3000	686
EE25480600	25	45	3000	836
EE38640350*	32 - 38	20	1500	640

*CH Series Dimensions:
A = 680mm, B = 560mm, F = 350mm, G = 640mm

= Quick Ship Item, see inside back cover for more information.

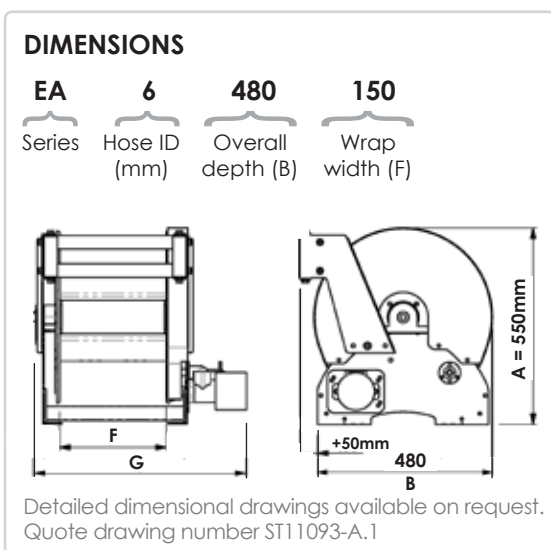
C SERIES 24VDC MOTOR DRIVEN REELS

APPLICATION

Simple, heavy duty models for a wide range of applications. Supplied with a high quality 24VDC motor for effortless operation.

HOSE TYPE	Supplied with or without hose
MEDIA	As per your hose type
CONSTRUCTION MATERIALS	Carbon Steel 304 Stainless Steel 316 Stainless Steel Aluminium
FINISH	Powder Coated Galvanized
OPTIONAL EXTRAS	4 way roller guides Gear guard Friction brake Extra heavy duty wrap spreaders* Wall mount swivel bracket

Standard construction material is carbon steel.
*Note: we recommend heavy duty wrap spreaders for pressures above 2000 psi.



EA19480600
RIGHT HAND VERSION

FEATURES



C SERIES 24VDC MOTOR DRIVEN				
Model	Hose ID Capacity (mm)	Hose Capacity (m)	Max PSI	Overall Width (G)
EA6480150	6	60	5000	386
EA6480300	6	140	5000	536
EA6480450	6	240	5000	686
EA6480600	6	300	5000	836
EA10480150	10	40	5000	386
EA10480300	10	100	5000	536
EA10480450	10	145	5000	686
EA10480600	10	200	5000	836
EA12480150	12	30	5000	386
EA12480300	12	60	5000	536
EA12480450	12	100	5000	686
EA12480600	12	130	5000	836
EA19480150	19	15	5000	386
EA19480300	19	30	5000	536
EA19480450	19	40	5000	686
EA19480600	19	60	5000	836
EA25480300	25	20	3000	536
EA25480450	25	30	3000	686
EA25480600	25	45	3000	836
EA38640350*	32 - 38	20	1500	640

*CH Series Dimensions:
A = 680mm, B = 560mm, F = 350mm, G = 640mm

= Quick Ship Item, see inside back cover for more information.

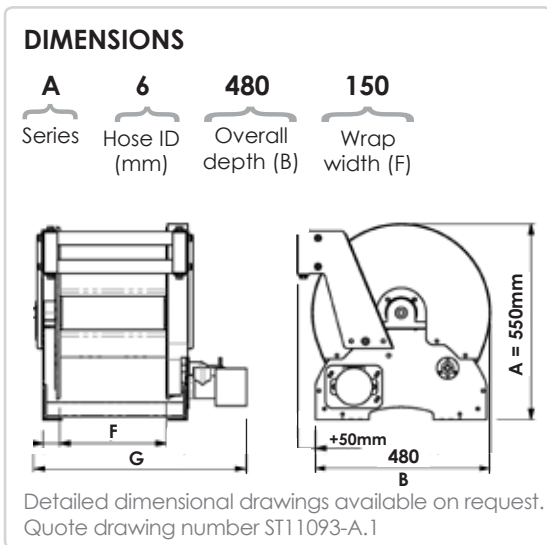
C SERIES 4AM PNEUMATIC DRIVE REELS

APPLICATION

The pneumatic drive C Series reel is suitable for a wide range of applications where a motor driven reeling system is required. Supplied with a high quality 4AM pneumatic motor for effortless operation.

HOSE TYPE	Supplied with or without hose
MEDIA	As per your hose type
CONSTRUCTION MATERIALS	Carbon Steel 304 Stainless Steel 316 Stainless Steel Aluminium
FINISH	Powder Coated Galvanized
OPTIONAL EXTRAS	4 way roller guides Gear guard Friction brake Extra heavy duty wrap spreaders* Wall mount swivel bracket

Standard construction material is carbon steel.
*Note: we recommend heavy duty wrap spreaders for pressures above 2000 psi.



A19480600
RIGHT HAND VERSION

FEATURES



C SERIES PNEUMATIC MOTOR DRIVEN

Model	Hose ID Capacity (mm)	Hose Capacity (m)	Max PSI	Overall Width (G)
A6480150	6	60	5000	370
A6480300	6	140	5000	520
A6480450	6	240	5000	670
A6480600	6	300	5000	820
A10480150	10	40	5000	370
A10480300	10	100	5000	520
A10480450	10	145	5000	670
A10480600	10	200	5000	820
A12480150	12	30	5000	370
A12480300	12	60	5000	520
A12480450	12	100	5000	670
A12480600	12	130	5000	820
A19480150	19	15	5000	370
A19480300	19	30	5000	520
A19480450	19	40	5000	670
A19480600	19	60	5000	820
A25480300	25	20	3000	520
A25480450	25	30	3000	670
A25480600	25	45	3000	820
A38640350*	32 - 38	20	1500	640

*CH Series Dimensions:
A = 680mm, B = 560mm, F = 350mm, G = 640mm

= Quick Ship Item, see inside back cover for more information.

C SERIES HYDRAULIC DRIVE REELS

APPLICATION

Simple, heavy duty hydraulic motor driven models for a wide range of applications. Supplied with a high quality hydraulic motor for effortless operation.

HOSE TYPE Supplied with or without hose

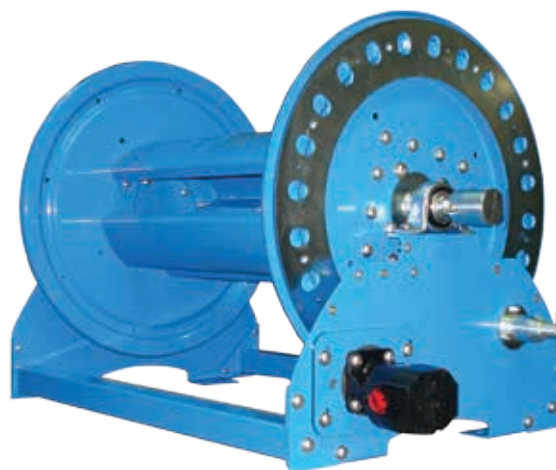
MEDIA As per your hose type

CONSTRUCTION MATERIALS Carbon Steel (standard)
304 Stainless Steel
316 Stainless Steel
Aluminium

FINISH Powder Coated
Galvanized

OPTIONAL EXTRAS 4 way roller guides
Gear guard
Friction brake
Extra heavy duty wrap spreaders*
Wall mount swivel bracket

Standard construction material is carbon steel.
*Note: we recommend heavy duty wrap spreaders for pressures above 2000 psi.



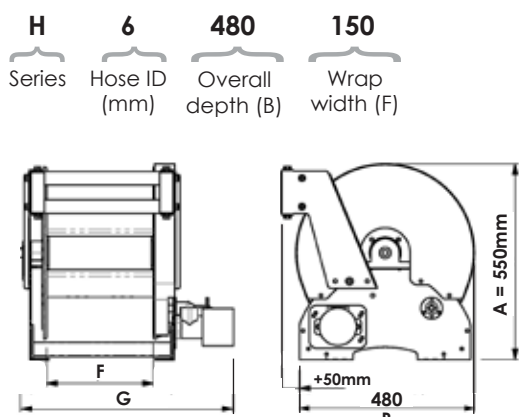
H19480600
RIGHT HAND VERSION

FEATURES



C SERIES HYDRAULIC MOTOR DRIVEN				
Model	Hose ID Capacity (mm)	Hose Capacity (m)	Max PSI	Overall Width (G)
H6480150	6	60	5000	370
H6480300	6	140	5000	520
H6480450	6	240	5000	670
H6480600	6	300	5000	820
H10480150	10	40	5000	370
H10480300	10	100	5000	520
H10480450	10	145	5000	670
H10480600	10	200	5000	820
H12480150	12	30	5000	370
H12480300	12	60	5000	520
H12480450	12	100	5000	670
H12480600	12	130	5000	820
H19480150	19	15	5000	370
H19480300	19	30	5000	520
H19480450	19	40	5000	670
H19480600	19	60	5000	820
H25480300	25	20	3000	520
H25480450	25	30	3000	670
H25480600	25	45	3000	820
H38640350*	32 - 38	20	1500	640

DIMENSIONS



Detailed dimensional drawings available on request.
Quote drawing number ST11093-A.1

*CH Series Dimensions:
A = 680mm, B = 560mm, F = 350mm, G = 640mm

= Quick Ship Item, see inside back cover for more information.



RECOILA AUSTRALIA - HEAD OFFICE
Unit 1/10 Melissa Place
Kings Park NSW 2148
Australia

Phone +61 2 9621 8988
Fax +61 2 9621 7688
sales@recoila.com.au

RECOILA NEW ZEALAND
18 Mani Street, Pukete
Hamilton 3200
New Zealand

Phone +64 7 847 4111
Fax +64 7 847 4112
sales@recoila.co.nz

www.recoila.com.au

www.recoila.co.nz

VISIT
RECOILA
ONLINE

